



सत्यमेव जयते

रेल भर्ती बोर्ड / RAILWAY RECRUITMENT BOARDS
सी ई एन ०१/२०१९ - एन टी पी सी - CEN 01/2019 - NTPC



Participant ID	
Participant Name	
Test Center Name	MBC Modi House
Test Date	03/02/2021
Test Time	3:00 PM - 4:30 PM
Subject	NTPC

* Note

Correct Answer will carry 1 mark per Question.

Incorrect Answer will carry 1/3 Negative mark.

- Options shown in green color with a tick icon are correct.
- Chosen option on the right of the question indicates the option selected by the candidate.

Section : NTPC

Q.1 Forest Research Institute of India is located at _____.

- Ans
- 1. Guwahati
 - 2. Dehradun
 - 3. Shimla
 - 4. Trivandrum

Question ID : 9489115625
Option 1 ID : 94891122497
Option 2 ID : 94891122498
Option 3 ID : 94891122499
Option 4 ID : 94891122500
Status : Not Answered
Chosen Option : --

Test Prime

ALL EXAMS,
ONE SUBSCRIPTION



40,000+
Mock Tests



Personalised
Report Card



Unlimited
Re-Attempt



500+
Exam Covered



Previous Year
Papers



500%
Refund



DOWNLOAD NOW

Q.2 Ram and Shyam can finish a task in 6 days working together. Shyam can finish that task alone in 8 days. How much time will Ram alone take to finish it?

- Ans**
- 1. 15 days
 - 2. 12 days
 - 3. 18 days
 - 4. 24 days

Question ID : 9489112961
Option 1 ID : 94891151842
Option 2 ID : 94891151841
Option 3 ID : 94891151843
Option 4 ID : 94891151844
Status : Answered
Chosen Option : 4

Q.3 Who is the author of 'Early History of India'?

- Ans**
- 1. K.A. Nilakanta Sastri
 - 2. R.C. Majumdar
 - 3. Vincent Arthur Smith
 - 4. R.G. Bhandarkar

Question ID : 9489115610
Option 1 ID : 94891122440
Option 2 ID : 94891122439
Option 3 ID : 94891122437
Option 4 ID : 94891122438
Status : Not Answered
Chosen Option : --

Q.4 Mary is taller than Aayushi. Gunjan is taller than Aayushi but shorter than Shalini, who is taller than Mary. Who among them is the tallest?

- Ans**
- 1. Shalini
 - 2. Gunjan
 - 3. Aayushi
 - 4. Mary

Question ID : 9489115099
Option 1 ID : 94891120396
Option 2 ID : 94891120394
Option 3 ID : 94891120393
Option 4 ID : 94891120395
Status : Answered
Chosen Option : 1

Q.5 From the following options, identify the name of the user interface element that is found on desktops as a small blinking symbol or an arrow.

- Ans**
- 1. Icons
 - 2. Cursor
 - 3. Shortcut
 - 4. Task-bar

Question ID : 9489115636
Option 1 ID : 94891122544
Option 2 ID : 94891122543
Option 3 ID : 94891122542
Option 4 ID : 94891122541
Status : Answered
Chosen Option : 2

Q.6 How many 7s are there in the following series which are not immediately followed by 3 but immediately preceded by 8?

898762263269732872778747794

- Ans**
- 1. 1
 - 2. 3
 - 3. 7
 - 4. 8

Question ID : 9489115102
Option 1 ID : 94891120408
Option 2 ID : 94891120406
Option 3 ID : 94891120407
Option 4 ID : 94891120405
Status : Answered
Chosen Option : 2

Q.7 In which year was the title 'Viceroy' given to 'Governor-General' of India?

- Ans**
- 1. 1876
 - 2. 1857
 - 3. 1905
 - 4. 1858

Question ID : 9489115621
Option 1 ID : 94891122483
Option 2 ID : 94891122481
Option 3 ID : 94891122484
Option 4 ID : 94891122482
Status : Answered
Chosen Option : 2

Q.8 Solve the following:

$$240 \div 8 \times 512 \div 4$$

- Ans
- 1. 3940
 - 2. 3340
 - 3. 3840
 - 4. 4040

Question ID : 94891112944
Option 1 ID : 94891151775
Option 2 ID : 94891151773
Option 3 ID : 94891151774
Option 4 ID : 94891151776
Status : Answered
Chosen Option : 3

Q.9 What was the main reason for calling off the Non-Cooperation Movement by Gandhiji in 1922?

- Ans
- 1. Gandhiji was seriously ill
 - 2.

Gandhiji was arrested and compelled to stop the movement

3.

A police station at Chauri Chaura in Uttar Pradesh was set on fire by a mob

- 4. The movement was completed by achieving the target.

Question ID : 9489115619
Option 1 ID : 94891122473
Option 2 ID : 94891122474
Option 3 ID : 94891122475
Option 4 ID : 94891122476
Status : Answered
Chosen Option : 3

Q.10 Ajmer is associated with the Sufi saint:

- Ans
- 1. Bandanawaz Gisudaraz
 - 2. Khwaja Muinuddin Chishti
 - 3. Khwaja Nizamuddin Auliya
 - 4. Baba Farid

Question ID : 9489115620
Option 1 ID : 94891122480
Option 2 ID : 94891122478
Option 3 ID : 94891122477
Option 4 ID : 94891122479
Status : Not Answered
Chosen Option : --

Q.11 Which type of mirror is used by dentists to see large images of patients' teeth?

- Ans
- 1. Convex mirror
 - 2. Concave mirror
 - 3. Spherical mirror
 - 4. Spherical and Convex mirror

Question ID : 9489115614
Option 1 ID : 94891122453
Option 2 ID : 94891122454
Option 3 ID : 94891122455
Option 4 ID : 94891122456
Status : Answered
Chosen Option : 2

Q.12 Which other two countries were at the top in the world to possess an anti-satellite weapon system in 2010 when China became the third country?

- Ans
- 1. The USA and Germany
 - 2. The USA and India
 - 3. Germany and Russia
 - 4. The USA and Russia

Question ID : 9489115631
Option 1 ID : 94891122523
Option 2 ID : 94891122521
Option 3 ID : 94891122524
Option 4 ID : 94891122522
Status : Answered
Chosen Option : 4

Q.13 What will be the value of the following expression?

$$0.25 \div 0.0025 \times 0.025 \times 25$$

- Ans
- 1. 625
 - 2. 62.5
 - 3. 0.625
 - 4. 6.25

Question ID : 94891112947
Option 1 ID : 94891151786
Option 2 ID : 94891151785
Option 3 ID : 94891151787
Option 4 ID : 94891151788
Status : Answered
Chosen Option : 2

Q.14 An amount doubles itself at compound interest in five years. In how many years will it amount to sixteen times itself?

- Ans
- 1. 25
 - 2. 15
 - 3. 16
 - 4. 20

Question ID : 94891112958
Option 1 ID : 94891151831
Option 2 ID : 94891151832
Option 3 ID : 94891151830
Option 4 ID : 94891151829
Status : Answered
Chosen Option : 4

Q.15 The blue colour of the sky is due to the:

- Ans
- 1. dispersion of light
 - 2. scattering of light
 - 3. refraction of light
 - 4. diffraction of light

Question ID : 9489115612
Option 1 ID : 94891122446
Option 2 ID : 94891122448
Option 3 ID : 94891122445
Option 4 ID : 94891122447
Status : Answered
Chosen Option : 2

Q.16 The population of a town is 10,000. If the male population increases by 5% and the female population by 10%, the population will become 10,800. How much of the town's present population is female?

- Ans
- 1. 5000
 - 2. 8000
 - 3. 6000
 - 4. 7000

Question ID : 94891112957
Option 1 ID : 94891151828
Option 2 ID : 94891151825
Option 3 ID : 94891151827
Option 4 ID : 94891151826
Status : Answered
Chosen Option : 3

Q.17 The third Buddhist Council was held by:

- Ans
- 1. Chandragupta
 - 2. Kanishka
 - 3. Ashoka
 - 4. Harshvardhana

Question ID : 9489115617
Option 1 ID : 94891122468
Option 2 ID : 94891122465
Option 3 ID : 94891122466
Option 4 ID : 94891122467
Status : Answered
Chosen Option : 3

Q.18 Read the given statement and conclusions carefully and decide which of the conclusions logically follow(s) from the statement.

Statement:

Music is very good for peace of mind.

Conclusions:

I. Arijit Singh has a good voice.

II. Kishor Kumar was a famous singer.

- Ans
- 1. Neither of the conclusion follows.
 - 2. Only conclusion II follows.
 - 3. Only conclusion I follows.
 - 4. Both conclusions follow.

Question ID : 9489115081
Option 1 ID : 94891120324
Option 2 ID : 94891120322
Option 3 ID : 94891120321
Option 4 ID : 94891120323
Status : Answered
Chosen Option : 1

Q.19 Find the quotient of $0.5 \div 0.71$ (correct to three decimal places)

- Ans
- 1. 0.714
 - 2. 0.706
 - 3. 0.704
 - 4. 0.705

Question ID : 9489112946
Option 1 ID : 94891151784
Option 2 ID : 94891151783
Option 3 ID : 94891151781
Option 4 ID : 94891151782
Status : Answered
Chosen Option : 3

Q.20 The annual increase in percentage of a population is 5% and the present number of people is 16,000. What will be the population in three years?

- Ans**
- 1. 29,448
 - 2. 24,448
 - 3. 18,522
 - 4. 20,448

Question ID : **94891112955**
Option 1 ID : **94891151820**
Option 2 ID : **94891151819**
Option 3 ID : **94891151817**
Option 4 ID : **94891151818**
Status : **Answered**
Chosen Option : **3**

Q.21 Read the given statements and conclusions carefully and decide which of the conclusions logically follows from the statements.

Statements:

1. All boards are black.
2. All blacks are white.

Conclusions:

1. No white is black.
2. All black are boards.
3. All white are black.
4. All boards are white.

- Ans**
- 1. 4
 - 2. 1
 - 3. 2
 - 4. 3

Question ID : **9489115075**
Option 1 ID : **94891120300**
Option 2 ID : **94891120297**
Option 3 ID : **94891120298**
Option 4 ID : **94891120299**
Status : **Answered**
Chosen Option : **1**

Q.22 Kalidas Samman Award has been instituted by which state government?

- Ans
- 1. Government of Chhatisgarh
 - 2. Government of Maharashtra
 - 3. Government of Rajasthan
 - 4. Government of Madhya Pradesh

Question ID : 9489115606
Option 1 ID : 94891122424
Option 2 ID : 94891122423
Option 3 ID : 94891122421
Option 4 ID : 94891122422
Status : Not Answered
Chosen Option : --

Q.23 Which one of the following is NOT an element?

- Ans
- 1. Silica
 - 2. Silicon
 - 3. Germanium
 - 4. Graphite

Question ID : 9489115616
Option 1 ID : 94891122463
Option 2 ID : 94891122464
Option 3 ID : 94891122462
Option 4 ID : 94891122461
Status : Answered
Chosen Option : 4

Q.24 What is not the main feature of FAME-2 India Scheme?

- Ans
- 1. It is to encourage faster adoption of electric and hybrid vehicles
 - 2. It plans to support 1 million electric two wheelers, 500,000 electric three wheelers, 55,000 electric four wheelers and 7000 electric buses
 - 3. Total outlay will be ₹10,000 crore
 - 4. Its target is only private transport vehicles

Question ID : 9489115640
Option 1 ID : 94891122558
Option 2 ID : 94891122560
Option 3 ID : 94891122557
Option 4 ID : 94891122559
Status : Answered
Chosen Option : 2

Q.25 Select the option that is related to the third term in the same way as the second term is related to the first term.

Clock : Time :: Thermometer : ?

- Ans**
- 1. Fever
 - 2. Weather
 - 3. Temperature
 - 4. Illness

Question ID : 9489115093
Option 1 ID : 94891120371
Option 2 ID : 94891120369
Option 3 ID : 94891120370
Option 4 ID : 94891120372
Status : Answered
Chosen Option : 3

Q.26 As of October 2020, who among the following is the youngest Nobel Laureate?

- Ans**
- 1. Tsung-Dao Lee
 - 2. Malala Yousafzai
 - 3. Tawakkol Karman
 - 4. Carl D. Anderson

Question ID : 9489115607
Option 1 ID : 94891122425
Option 2 ID : 94891122427
Option 3 ID : 94891122426
Option 4 ID : 94891122428
Status : Answered
Chosen Option : 2

Q.27 A train that is 110 m in length is running at 90 km/h. How much time will the train take to cross a bridge that is 180 m in length?

- Ans**
- 1. 11.6 s
 - 2. 9.6 s
 - 3. 10.6 s
 - 4. 7.6 s

Question ID : 9489112963
Option 1 ID : 94891151851
Option 2 ID : 94891151850
Option 3 ID : 94891151849
Option 4 ID : 94891151852
Status : Answered
Chosen Option : 1

Q.28 When was the Planning Commission of India dissolved by the Union Government of India?

- Ans
- 1. 2000
 - 2. 2014
 - 3. 2015
 - 4. 2010

Question ID : 9489115639
Option 1 ID : 94891122553
Option 2 ID : 94891122554
Option 3 ID : 94891122556
Option 4 ID : 94891122555
Status : Answered
Chosen Option : 3

Q.29 What is the remainder when 2^{20} is divided by 3?

- Ans
- 1. 2
 - 2. 3
 - 3. 0
 - 4. 1

Question ID : 9489112952
Option 1 ID : 94891151805
Option 2 ID : 94891151806
Option 3 ID : 94891151808
Option 4 ID : 94891151807
Status : Answered
Chosen Option : 4

Q.30 Which fraction bears the same ratio to $\frac{1}{27}$ as $\frac{3}{11}$ does to $\frac{5}{9}$?

- Ans
- 1. $\frac{1}{15}$
 - 2. $\frac{1}{99}$
 - 3. $\frac{1}{27}$
 - 4. $\frac{1}{55}$

Question ID : 9489112954
Option 1 ID : 94891151815
Option 2 ID : 94891151813
Option 3 ID : 94891151814
Option 4 ID : 94891151816
Status : Answered
Chosen Option : 4

Q.31 A man got a discount of 10% on sugar at Big Mart which allowed him to buy 25 kg more for ₹225/-. What is the discounted price and the original price of the sugar per kg?

- Ans**
- 1. 50p, ₹2
 - 2. 70p, ₹2
 - 3. 80p, ₹3
 - 4. 90p, ₹1

Question ID : 94891112960
Option 1 ID : 94891151837
Option 2 ID : 94891151839
Option 3 ID : 94891151838
Option 4 ID : 94891151840
Status : Answered
Chosen Option : 4

Q.32 The least number which on being divided by 2, 3, 4, 5 and 6 leaves a remainder of 1 but no remainder when divided by 7 is:

- Ans**
- 1. 322
 - 2. 315
 - 3. 308
 - 4. 301

Question ID : 94891112949
Option 1 ID : 94891151796
Option 2 ID : 94891151795
Option 3 ID : 94891151794
Option 4 ID : 94891151793
Status : Answered
Chosen Option : 4

Q.33 If a boy finds that he is 11th from the right in a line of boys and 5th from the left, how many boys should be added to the line so that there are 29 boys in the line?

- Ans**
- 1. 12
 - 2. 13
 - 3. 15
 - 4. 14

Question ID : 9489115101
Option 1 ID : 94891120401
Option 2 ID : 94891120402
Option 3 ID : 94891120404
Option 4 ID : 94891120403
Status : Answered
Chosen Option : 4

Q.34 What will be the value after simplifying this continued fraction?

$$2 + \frac{1}{3 + \frac{1}{1 + \frac{1}{4}}}$$

Ans

1. $\frac{43}{5}$

2. $\frac{43}{19}$

3. $\frac{5}{19}$

4. $\frac{19}{43}$

Question ID : 9489112948

Option 1 ID : 94891151792

Option 2 ID : 94891151789

Option 3 ID : 94891151791

Option 4 ID : 94891151790

Status : Answered

Chosen Option : 4

Q.35 Murudeshwar Temple is situated on Kanduka Giri in the state of _____.

Ans 1. Tamilnadu

2. Odisha

3. Kerala

4. Karnataka

Question ID : 9489115609

Option 1 ID : 94891122433

Option 2 ID : 94891122436

Option 3 ID : 94891122434

Option 4 ID : 94891122435

Status : Not Answered

Chosen Option : --

Q.36 Pointing to a lady Jayant says, "She is the sister of Prikshit, who is the brother of Dushyant and the brother of Abha."

Abha is the sister-in-law of Jayant and she has only one sister.

How is Jayant related to that lady?

- Ans**
- 1. Son
 - 2. Father
 - 3. Husband
 - 4. Brother

Question ID : 9489115080
Option 1 ID : 94891120319
Option 2 ID : 94891120320
Option 3 ID : 94891120318
Option 4 ID : 94891120317
Status : Answered
Chosen Option : 4

Q.37 What is the value of $\frac{\sqrt{5}+1}{\sqrt{5}-1}$?

- Ans**
- 1. $\frac{3-\sqrt{5}}{2}$
 - 2. $\frac{\sqrt{5}}{2}$
 - 3. $\frac{3\sqrt{5}}{2}$
 - 4. $\frac{3+\sqrt{5}}{2}$



Question ID : 9489112951
Option 1 ID : 94891151801
Option 2 ID : 94891151804
Option 3 ID : 94891151802
Option 4 ID : 94891151803
Status : Answered
Chosen Option : 4

Q.38 Jaya and Hema can clean an apartment in 30 days. Hema and Sushma can do the same task in 40 days, while Jaya and Sushma take 60 days to do it. How many days will it take all three of them working together to clean the apartment?

Ans

1. $15\frac{2}{3}$

2. $\frac{2}{3}$

3. $6\frac{2}{3}$

4. $26\frac{2}{3}$

Question ID : 9489112962

Option 1 ID : 94891151847

Option 2 ID : 94891151845

Option 3 ID : 94891151848

Option 4 ID : 94891151846

Status : Answered

Chosen Option : 4

Q.39 How many Indian states share their boundaries with Nepal?

Ans 1. 5

2. 4

3. 8

4. 3

Question ID : 9489115622

Option 1 ID : 94891122486

Option 2 ID : 94891122487

Option 3 ID : 94891122485

Option 4 ID : 94891122488

Status : Answered

Chosen Option : 1

Q.40 What is the name of India's first planned manned space flight?

Ans 1. Gaganyaan

2. Gagan Viman

3. Pushpakyaan

4. Vayuyaan

Question ID : 9489115632

Option 1 ID : 94891122528

Option 2 ID : 94891122527

Option 3 ID : 94891122526

Option 4 ID : 94891122525

Status : Answered

Chosen Option : 1

Q.41 Find the variance of the following data points:

6, 7, 5, 9, 12, 15

Ans

1. $\frac{37}{6}$

2. $\frac{67}{6}$

3. $\frac{81}{3}$

4. $\frac{37}{3}$

Question ID : 9489112973

Option 1 ID : 94891151892

Option 2 ID : 94891151889

Option 3 ID : 94891151890

Option 4 ID : 94891151891

Status : **Not Attempted and
Marked For Review**

Chosen Option : --

Q.42 Which is the outermost part of the earth?

Ans 1. Mantle

2. Core

3. Crust

4. Asthenosphere

Question ID : 9489115626

Option 1 ID : 94891122502

Option 2 ID : 94891122501

Option 3 ID : 94891122503

Option 4 ID : 94891122504

Status : **Answered**

Chosen Option : 3

Q.43 A computer monitor is also known by the name:

- Ans
- 1. CCTV
 - 2. LED
 - 3. CPU
 - 4. VDU

Question ID : 9489115637
Option 1 ID : 94891122547
Option 2 ID : 94891122548
Option 3 ID : 94891122545
Option 4 ID : 94891122546
Status : Answered
Chosen Option : 4

Q.44 Which is the Sixth largest country of the world in terms of area?

- Ans
- 1. China
 - 2. India
 - 3. Australia
 - 4. Brazil

Question ID : 9489115624
Option 1 ID : 94891122493
Option 2 ID : 94891122495
Option 3 ID : 94891122494
Option 4 ID : 94891122496
Status : Answered
Chosen Option : 3

Q.45 Which of the following is a cartilaginous fish?

- Ans
- 1. Shark
 - 2. Rohu
 - 3. Salmon
 - 4. Tuna

Question ID : 9489115613
Option 1 ID : 94891122452
Option 2 ID : 94891122450
Option 3 ID : 94891122451
Option 4 ID : 94891122449
Status : Not Answered
Chosen Option : --

Q.46 On which of the following occasions the lunar eclipse occurs?

- Ans
- 1. First quadrature
 - 2. New moon
 - 3. Full moon
 - 4. Third quadrature

Question ID : 9489115623
Option 1 ID : 94891122489
Option 2 ID : 94891122492
Option 3 ID : 94891122491
Option 4 ID : 94891122490
Status : Answered
Chosen Option : 2

Q.47 Which ministry of Government of India has published Goods and Service Tax (GST) Act, 2017?

- Ans
- 1. Ministry of Law and Justice
 - 2. Office of the Prime Minister
 - 3. Ministry of Corporate Affairs
 - 4. Ministry of Finance

Question ID : 9489115642
Option 1 ID : 94891122565
Option 2 ID : 94891122566
Option 3 ID : 94891122568
Option 4 ID : 94891122567
Status : Answered
Chosen Option : 4

Q.48 Find the number whose four-fifth is more than its three-fourth by 4.

- Ans
- 1. 70
 - 2. 80
 - 3. 100
 - 4. 90

Question ID : 9489112953
Option 1 ID : 94891151811
Option 2 ID : 94891151812
Option 3 ID : 94891151810
Option 4 ID : 94891151809
Status : Answered
Chosen Option : 2

Q.49 Of which of the following organisations is India NOT a member?

- Ans
- 1. Shanghai Cooperation Organisation (SCO)
 - 2. G20
 - 3. United Nations(UN)
 - 4. North Atlantic Treaty Organisation (NATO)

Question ID : 9489115633
Option 1 ID : 94891122532
Option 2 ID : 94891122531
Option 3 ID : 94891122529
Option 4 ID : 94891122530
Status : Answered
Chosen Option : 4

Q.50 Find the angle of elevation of a $200\sqrt{3}$ m tower's top from a point 200 m away from its base.

- Ans
- 1. 30°
 - 2. 90°
 - 3. 45°
 - 4. 60°

Question ID : 94891112970
Option 1 ID : 94891151878
Option 2 ID : 94891151877
Option 3 ID : 94891151880
Option 4 ID : 94891151879
Status : Answered
Chosen Option : 4

Q.51 In a triangle ABC, incenter is at O. Find angle BAC if angle BOC = 110° .

- Ans
- 1. 50°
 - 2. 20°
 - 3. 40°
 - 4. 30°

Question ID : 94891112968
Option 1 ID : 94891151870
Option 2 ID : 94891151872
Option 3 ID : 94891151869
Option 4 ID : 94891151871
Status : Answered
Chosen Option : 1

Q.52 What do we call the force which affects the direction of wind and is caused by the rotation of the earth on its axis?

- Ans**
- 1. Frictional force
 - 2. Pressure gradient force
 - 3. Gravitational force
 - 4. Coriolis force

Question ID : 9489115611
Option 1 ID : 94891122441
Option 2 ID : 94891122443
Option 3 ID : 94891122444
Option 4 ID : 94891122442
Status : Answered
Chosen Option : 4

Q.53 Three bells started tolling together. Each of them then tolls after 0.25 sec, 0.1 sec and 0.125 sec. After how many seconds will they again toll together?

- Ans**
- 1. 0.1
 - 2. 0.2
 - 3. 0.5
 - 4. 0.6

Question ID : 9489112950
Option 1 ID : 94891151799
Option 2 ID : 94891151798
Option 3 ID : 94891151800
Option 4 ID : 94891151797
Status : Answered
Chosen Option : 3

Q.54 What is the area of the largest square that is inscribed in a semicircle of radius 10 cm?

- Ans**
- 1. 70 cm^2
 - 2. 90 cm^2
 - 3. 80 cm^2
 - 4. 120 cm^2

Question ID : 9489112969
Option 1 ID : 94891151874
Option 2 ID : 94891151876
Option 3 ID : 94891151875
Option 4 ID : 94891151873
Status : Not Attempted and Marked For Review
Chosen Option : --

Q.55 If MOBILE = LMYEGY, then SONG will be equal to:

- Ans 1. RMKC
 2. RMCK
 3. TPHM
 4. TPMH

Question ID : 9489115076
Option 1 ID : 94891120301
Option 2 ID : 94891120302
Option 3 ID : 94891120304
Option 4 ID : 94891120303
Status : Answered
Chosen Option : 1

Q.56 What is the square root of the following?

$$(x^2 - 14x + 49)(x^2 + 6x + 9)$$

- Ans 1. $(x - 4)(x + 9)$
 2. $(x - 7)(x + 3)$
 3. $(x - 1)(x + 17)$
 4. $(x - 3)(x + 8)$

Question ID : 94891112967
Option 1 ID : 94891151868
Option 2 ID : 94891151866
Option 3 ID : 94891151865
Option 4 ID : 94891151867

Status : Answered
Chosen Option : 2

Q.57 The main aim of the 'Ganga Action Plan' is:

- Ans 1. Efficient use of Ganga water for irrigation
 2. Reduction of pollution in Ganga river
 3. Efficient use of Ganga water for drinking purpose
 4. Using Ganga river for generating hydel energy

Question ID : 9489115634
Option 1 ID : 94891122534
Option 2 ID : 94891122535
Option 3 ID : 94891122533
Option 4 ID : 94891122536
Status : Answered
Chosen Option : 2

Q.58 Select the option in which the words share the same relationship as that shared by the given pair of words.

Bag : Leather

- Ans**
- 1. Mobile : Network
 - 2. Plastic : Polymers
 - 3. Water : Drinking
 - 4. Suitcase : Travel

Question ID : 9489115078
Option 1 ID : 94891120311
Option 2 ID : 94891120310
Option 3 ID : 94891120312
Option 4 ID : 94891120309
Status : Answered
Chosen Option : 2

Q.59 How will you write 7.45 hours in hours, minutes and seconds?

- Ans**
- 1. 7 hours, 20 minutes, 7 seconds
 - 2. 7 hours, 27 minutes, 0 seconds
 - 3. 7 hours, 40 minutes, 5 seconds
 - 4. 7 hours, 45 minutes, 0 seconds

Question ID : 9489115079
Option 1 ID : 94891120316
Option 2 ID : 94891120313
Option 3 ID : 94891120315
Option 4 ID : 94891120314
Status : Answered
Chosen Option : 4

Q.60 What is Ram's average speed if he goes from Point X to Point Y at 8 km/hr and returns from Point Y to Point X at 12 km/hr?

- Ans**
- 1. 8.6 km/hr
 - 2. 10.6 km/hr
 - 3. 9.6 km/hr
 - 4. 15.6 km/hr

Question ID : 9489112971
Option 1 ID : 94891151882
Option 2 ID : 94891151881
Option 3 ID : 94891151883
Option 4 ID : 94891151884
Status : Answered
Chosen Option : 3

Q.61 Read the given statements and conclusions carefully and decide which of the conclusions logically follows from the statements.

Statements:

1. Some bags are books.
2. All pen are books.

Conclusions:

1. All bags are pens.
2. All bags are books.
3. No pen is a book.
4. No pens are bag.

- Ans**
- 1. 2
 - 2. 1
 - 3. 4
 - 4. 3

Question ID : 9489115074
Option 1 ID : 94891120294
Option 2 ID : 94891120293
Option 3 ID : 94891120296
Option 4 ID : 94891120295
Status : Answered
Chosen Option : 3

Q.62 Two-fifth of Narendra's salary is equal to Amit's salary and seven-ninth of Amit's salary is equal to Arun's salary. If the sum of the salaries is ₹770, what are the respective salaries of Narendra, Amit and Arun (in ₹)?

- Ans**
- 1. 450, 180, 140
 - 2. 450, 140, 180
 - 3. 180, 140, 450
 - 4. 180, 450, 140

Question ID : 94891112956
Option 1 ID : 94891151821
Option 2 ID : 94891151824
Option 3 ID : 94891151823
Option 4 ID : 94891151822
Status : Answered
Chosen Option : 1

Q.63 The number of non-permanent members of the UN Security Council is:

- Ans
- 1. 9
 - 2. 10
 - 3. 12
 - 4. 11

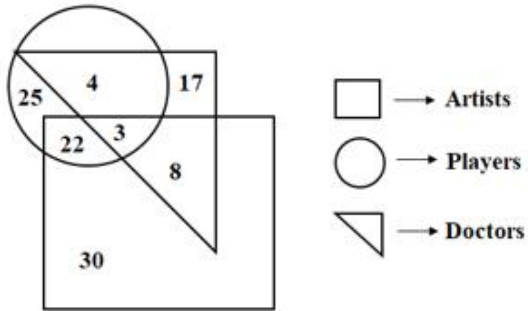
Question ID : 9489115635
Option 1 ID : 94891122537
Option 2 ID : 94891122538
Option 3 ID : 94891122540
Option 4 ID : 94891122539
Status : Answered
Chosen Option : 2

Q.64 A financial assistance of _____ rupees will be given to the community health centres so that they can be strengthened to meet the standards of sanitation, hygiene and infection control under the 'Swachh Swasth Sarvatra'.

- Ans
- 1. 20 Lakh
 - 2. 12 Lakh
 - 3. 15 Lakh
 - 4. 10 Lakh

Question ID : 9489115641
Option 1 ID : 94891122564
Option 2 ID : 94891122561
Option 3 ID : 94891122562
Option 4 ID : 94891122563
Status : Not Answered
Chosen Option : --

Q.65 Study the following figure and answer the question that follows.



How many doctors are neither artists nor players?

- Ans
- 1. 12
 - 2. 17
 - 3. 13
 - 4. 15

Question ID : 9489115097
Option 1 ID : 94891120387
Option 2 ID : 94891120385
Option 3 ID : 94891120388
Option 4 ID : 94891120386

Status : Answered

Chosen Option : 2

Q.66 In July 2020, Prime Minister Narendra Modi inaugurated the new Supreme Court Building of _____ which was completed with Indian assistance.

- Ans
- 1. Bhutan
 - 2. Afghanistan
 - 3. Mauritius
 - 4. Maldives

Question ID : 9489115604
Option 1 ID : 94891122415
Option 2 ID : 94891122416
Option 3 ID : 94891122413
Option 4 ID : 94891122414

Status : Not Attempted and
Marked For Review

Chosen Option : --

Q.67 An article is bought for ₹250. What should be its selling price so as to gain 10% as profit?

- Ans
- 1. ₹275
 - 2. ₹290
 - 3. ₹250
 - 4. ₹260

Question ID : 94891112959

Option 1 ID : 94891151835

Option 2 ID : 94891151836

Option 3 ID : 94891151833

Option 4 ID : 94891151834

Status : Answered

Chosen Option : 1

Q.68 The first general election of Lok Sabha was held in the year:

- Ans
- 1. 1957 – 1958
 - 2. 1953 - 1954
 - 3. 1951 - 1952
 - 4. 1949 - 1950

Question ID : 9489115628

Option 1 ID : 94891122510

Option 2 ID : 94891122511

Option 3 ID : 94891122512

Option 4 ID : 94891122509

Status : Answered

Chosen Option : 3

Q.69 A question is given followed by two arguments. Decide which of the arguments is/are strong with respect to the question.

Question:

Should the illiterates be debarred from casting their votes?

Arguments:

- I. Yes, they can be easily misguided.
- II. No, it is their constitutional right.

- Ans
- 1. Only argument I is strong.
 - 2. Only argument II is strong.
 - 3. Both argument I and II are strong.
 - 4. Neither argument I nor II is strong.

Question ID : 9489115082

Option 1 ID : 94891120325

Option 2 ID : 94891120326

Option 3 ID : 94891120327

Option 4 ID : 94891120328

Status : Answered

Chosen Option : 2

Q.70 What is RDX?

- Ans
- 1. An instrument to measure current
 - 2. A chemical used in the manufacturing of pesticides
 - 3. An explosive
 - 4. An instrument to measure blood pressure

Question ID : 9489115630
Option 1 ID : 94891122518
Option 2 ID : 94891122517
Option 3 ID : 94891122519
Option 4 ID : 94891122520
Status : Answered
Chosen Option : 3

Q.71 Who among the following shall communicate to the President all the decisions of the council of ministers under article 78?

- Ans
- 1. Home Minister
 - 2. Prime Minister
 - 3. Vice-President
 - 4. Foreign Minister

Question ID : 9489115627
Option 1 ID : 94891122508
Option 2 ID : 94891122506
Option 3 ID : 94891122505
Option 4 ID : 94891122507
Status : Answered
Chosen Option : 2

Q.72 Solve the following:

$$1800 \div (11 \times 24 \div 8 \times 3 - 69)^2$$

- Ans
- 1. 2
 - 2. 3
 - 3. 5
 - 4. 4

Question ID : 9489112945
Option 1 ID : 94891151779
Option 2 ID : 94891151777
Option 3 ID : 94891151780
Option 4 ID : 94891151778
Status : Answered
Chosen Option : 1

Q.73 Select the option that is related to the third term in the same way as the second term is related to the first term.

Ranthambore : Tiger :: Kaziranga : ?

- Ans
- 1. Spotted Hyena
 - 2. One-horned Rhinoceros
 - 3. Wild Ass
 - 4. Asiatic Lion

Question ID : 9489115095
Option 1 ID : 94891120380
Option 2 ID : 94891120379
Option 3 ID : 94891120377
Option 4 ID : 94891120378
Status : Answered
Chosen Option : 2

Q.74 Sonal Mansingh is famous for:

- Ans
- 1. Singing
 - 2. Acting
 - 3. Playing
 - 4. Dance

Question ID : 9489115608
Option 1 ID : 94891122431
Option 2 ID : 94891122430
Option 3 ID : 94891122432
Option 4 ID : 94891122429
Status : Not Answered
Chosen Option : --

Q.75 Select the option that can replace the question mark (?) in the following series.

L34E, O46H, R58K, U70N, ?

- Ans
- 1. X82Q
 - 2. X41Q
 - 3. X82P
 - 4. X41M

Question ID : 9489115088
Option 1 ID : 94891120352
Option 2 ID : 94891120351
Option 3 ID : 94891120350
Option 4 ID : 94891120349
Status : Answered
Chosen Option : 1

Q.76 Who was known as the 'Iron Man of India'?

- Ans 1. Sardar Vallabhbhai Patel
 2. Jawahar Lal Nehru
 3. Subhash Chandra Bose
 4. Narendra Modi

Question ID : 9489115605
Option 1 ID : 94891122419
Option 2 ID : 94891122417
Option 3 ID : 94891122420
Option 4 ID : 94891122418
Status : Answered
Chosen Option : 1

Q.77 Due to a cyclone, a tree is broken and makes an angle of 30° with the ground. The distance between the root and the tip of the tree that touches the ground is 10 m. What is the height of the tree?

- Ans 1. $\sqrt{3}$ m
 2. $20\sqrt{3}$ m
 3. $\frac{10}{\sqrt{3}}$ m
 4. $10\sqrt{3}$ m



Question ID : 94891112972
Option 1 ID : 94891151888
Option 2 ID : 94891151885
Option 3 ID : 94891151886
Option 4 ID : 94891151887
Status : Not Attempted and Marked For Review
Chosen Option : --

Q.78 Which of the following options gives the value of $1999^2 - 999^2$?

- Ans 1. 3000000
 2. 2988000
 3. 2998000
 4. 1000000

Question ID : 94891112964
Option 1 ID : 94891151854
Option 2 ID : 94891151853
Option 3 ID : 94891151856
Option 4 ID : 94891151855
Status : Not Attempted and Marked For Review
Chosen Option : --

Q.79 Who is the first chairperson of the NITI Aayog?

- Ans
- 1. Arun Jaitley
 - 2. Narendra Modi
 - 3. Arvind Panagariya
 - 4. Amitabh Kant

Question ID : 9489115643
Option 1 ID : 94891122572
Option 2 ID : 94891122571
Option 3 ID : 94891122570
Option 4 ID : 94891122569
Status : Answered
Chosen Option : 2

Q.80 Who among the following was involved in Alipore Bomb Case?

- Ans
- 1. Sri Aurobindo
 - 2. Chandrashekhar Azad
 - 3. Ramprasad Bismil
 - 4. Bhagat Singh

Question ID : 9489115618
Option 1 ID : 94891122471
Option 2 ID : 94891122470
Option 3 ID : 94891122472
Option 4 ID : 94891122469
Status : Not Answered
Chosen Option : --

Q.81 What is the correct full form of NABARD from below?

- Ans
- 1. National Bank for Asian Research Development
 - 2. National Bank for Agriculture and Resource Development
 - 3. National Bank for Agriculture and Rural Development
 - 4. National Bank for Agri Related Development

Question ID : 9489115638
Option 1 ID : 94891122550
Option 2 ID : 94891122551
Option 3 ID : 94891122552
Option 4 ID : 94891122549
Status : Answered
Chosen Option : 3

Q.82 If one of the roots of the equation $x^2 - 19x + 88 = 0$ is 8, then what is the other root?

- Ans
- 1. 17
 - 2. 12
 - 3. 13
 - 4. 11

Question ID : 94891112966
Option 1 ID : 94891151863
Option 2 ID : 94891151861
Option 3 ID : 94891151862
Option 4 ID : 94891151864
Status : Answered
Chosen Option : 4

Q.83 If a solution changes the colour of blue litmus paper to red, what will the pH of this solution be?

- Ans
- 1. less than 7
 - 2. 14
 - 3. more than 7
 - 4. 7

Question ID : 9489115615
Option 1 ID : 94891122459
Option 2 ID : 94891122460
Option 3 ID : 94891122458
Option 4 ID : 94891122457
Status : Answered
Chosen Option : 1

Q.84 The Government of India celebrates _____ every year as 'Civil Services Day' for the civil servants to rededicate themselves to the cause of citizens and renew their commitment to public service and excellence in work.

- Ans
- 1. 21 January
 - 2. 21 October
 - 3. 21 May
 - 4. 21 April

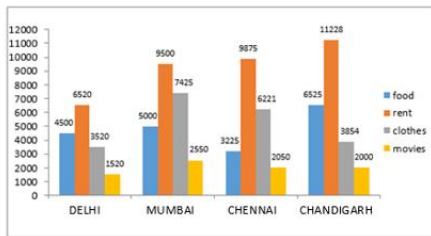
Question ID : 9489115629
Option 1 ID : 94891122515
Option 2 ID : 94891122516
Option 3 ID : 94891122513
Option 4 ID : 94891122514
Status : Not Answered
Chosen Option : --

Q.85 If the ratio of the heights of two cones is 1 : 4 and the diameters are in ratio 4 : 5 then what is the ratio of their volumes?

- Ans**
- ✓ 1. 4 : 25
 - ✗ 2. 13 : 25
 - ✗ 3. 7 : 17
 - ✗ 4. 5 : 9

Question ID : 94891112965
 Option 1 ID : 94891151857
 Option 2 ID : 94891151860
 Option 3 ID : 94891151858
 Option 4 ID : 94891151859
 Status : Answered
 Chosen Option : 1

Q.86 The given bar chart shows average expenditure on food, rent, clothes and movies by individuals in a month in 4 different cities.

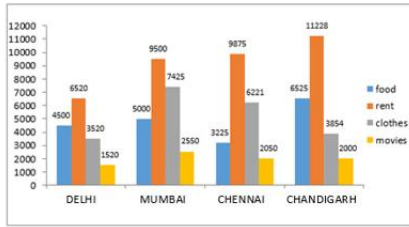


Which city has the maximum expenditure by an individual in a month?

- Ans**
- ✓ 1. Mumbai
 - ✗ 2. Chandigarh
 - ✗ 3. Delhi
 - ✗ 4. Chennai

Question ID : 9489115089
 Option 1 ID : 94891120354
 Option 2 ID : 94891120356
 Option 3 ID : 94891120353
 Option 4 ID : 94891120355
 Status : Answered
 Chosen Option : 1

Q.87 The given bar chart shows average expenditure on food, rent, clothes and movies by individuals in a month in 4 different cities.

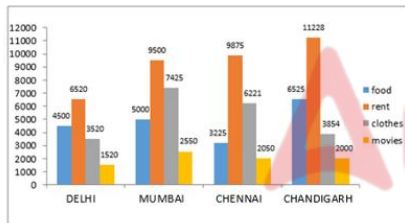


Which city has the highest gap in minimum and maximum expenditure by an individual in a month?

- Ans**
- 1. Chandigarh
 - 2. Delhi
 - 3. Mumbai
 - 4. Chennai

Question ID : **9489115090**
 Option 1 ID : **94891120360**
 Option 2 ID : **94891120357**
 Option 3 ID : **94891120358**
 Option 4 ID : **94891120359**
 Status : **Answered**
 Chosen Option : 1

Q.88 The given bar chart shows average expenditure on food, rent, clothes and movies by individuals in a month in 4 different cities.

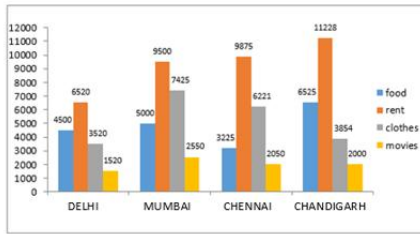


What is the total expenditure on clothes as an approximate percentage of the total expenditure on Rent across all 4 cities?

- Ans**
- 1. 57%
 - 2. 60%
 - 3. 51%
 - 4. 53%

Question ID : **9489115091**
 Option 1 ID : **94891120362**
 Option 2 ID : **94891120361**
 Option 3 ID : **94891120363**
 Option 4 ID : **94891120364**
 Status : **Answered**
 Chosen Option : 1

Q.89 The given bar chart shows average expenditure on food, rent, clothes and movies by individuals in a month in 4 different cities.



In which city is the expenditure on movies nearest to the average expenditure on movies across all four cities?

- Ans
- 1. Chandigarh
 - 2. Mumbai
 - 3. Delhi
 - 4. Chennai

Question ID : **9489115092**
 Option 1 ID : **94891120367**
 Option 2 ID : **94891120365**
 Option 3 ID : **94891120368**
 Option 4 ID : **94891120366**
 Status : **Answered**
 Chosen Option : **4**

Q.90 Identify the number that does NOT belong to the following series.

289, 306, 340, 389, 459, 544

- Ans
- 1. 289
 - 2. 459
 - 3. 389
 - 4. 306



Question ID : **9489115087**
 Option 1 ID : **94891120346**
 Option 2 ID : **94891120347**
 Option 3 ID : **94891120345**
 Option 4 ID : **94891120348**
 Status : **Answered**
 Chosen Option : **1**

Q.91 Select the number that can replace the question mark (?) in the following series.

12.24, 48.96, 192.384, ?

- Ans
- 1. 768.1546
 - 2. 768.1536
 - 3. 748.1526
 - 4. 758.1536

Question ID : 9489115086
Option 1 ID : 94891120343
Option 2 ID : 94891120342
Option 3 ID : 94891120344
Option 4 ID : 94891120341
Status : Answered
Chosen Option : 2

Q.92 Read the following information and answer the question that follows.

1. Rohit, Shobit and Manu play volleyball, tennis and Kho-Kho.
2. Rohit, Ashu and Manu play volleyball, tennis and badminton.
3. Rohit, Shobhit, Dalip and Manu play Kho-Kho and tennis.

Which game is played by all the boys?

- Ans
- 1. Kho-Kho
 - 2. Tennis
 - 3. Badminton
 - 4. Volleyball

Question ID : 9489115100
Option 1 ID : 94891120399
Option 2 ID : 94891120398
Option 3 ID : 94891120400
Option 4 ID : 94891120397
Status : Answered
Chosen Option : 2

Q.93 A team of five members is sitting in a row facing towards the north. C is to the left of A and to the right of E. B is to the left of D and to the right of A. Who is sitting in the middle?

- Ans**
- 1. C
 - 2. D
 - 3. A
 - 4. B

Question ID : 9489115103
Option 1 ID : 94891120411
Option 2 ID : 94891120412
Option 3 ID : 94891120409
Option 4 ID : 94891120410
Status : Answered
Chosen Option : 3

Q.94 Select the option in which the words share the same relationship as that shared by the given pair of words.

Photosynthesis = Sun Light

- Ans**
- 1. Book = Magazine
 - 2. Writing = Pen
 - 3. Printer = Deskjet
 - 4. Fan = Light

Question ID : 9489115077
Option 1 ID : 94891120306
Option 2 ID : 94891120305
Option 3 ID : 94891120308
Option 4 ID : 94891120307
Status : Answered
Chosen Option : 2

Q.95 How will you write 3.78 hours in hours, minutes and seconds?

- Ans**
- 1. 3 hours, 45 minutes, 33 seconds
 - 2. 3 hours, 46 minutes, 48 seconds
 - 3. 3 hours, 7 minutes, 8 seconds
 - 4. 4 hours, 18 minutes, 0 seconds

Question ID : 9489115096
Option 1 ID : 94891120384
Option 2 ID : 94891120382
Option 3 ID : 94891120383
Option 4 ID : 94891120381
Status : Answered
Chosen Option : 4

Q.96 Select the option that is related to the third term in the same way as the second term is related to the first term.

Tongue : Taste :: Lungs : ?

- Ans**
- 1. Perspiration
 - 2. Circulation
 - 3. Cognition
 - 4. Respiration

Question ID : 9489115094
Option 1 ID : 94891120373
Option 2 ID : 94891120376
Option 3 ID : 94891120375
Option 4 ID : 94891120374
Status : Answered
Chosen Option : 4

Q.97 Select the letter that can replace the question mark (?) in the following series.

A, C, E, G, I, K, ?

- Ans**
- 1. L
 - 2. O
 - 3. N
 - 4. M

Question ID : 9489115084
Option 1 ID : 94891120335
Option 2 ID : 94891120336
Option 3 ID : 94891120333
Option 4 ID : 94891120334
Status : Answered
Chosen Option : 4

Q.98 Select the letter that can replace the question mark (?) in the following series.

L, J, H, F, D, ?

- Ans**
- 1. B
 - 2. C
 - 3. E
 - 4. A

Question ID : 9489115083
Option 1 ID : 94891120330
Option 2 ID : 94891120331
Option 3 ID : 94891120332
Option 4 ID : 94891120329
Status : Answered
Chosen Option : 1

Q.99 Three friends, A, B and C work in an office, in the IT, HR and Banking departments. A works in the banking department and works 8 hours a day; but, the one who works in the HR department works only 5 hours a day. B is lazy and does not like to work the entire day. B has maths background but is not part of the banking department.

Who works in HR department?

- Ans**
- 1. C
 - 2. B
 - 3. A
 - 4. Either B or C

Question ID : 9489115098
Option 1 ID : 94891120391
Option 2 ID : 94891120390
Option 3 ID : 94891120389
Option 4 ID : 94891120392
Status : Answered
Chosen Option : 4

Q.100 Select the number that can replace the question mark (?) in the following series.

5, 9, 17, 33, 65, ?

- Ans**
- 1. 130
 - 2. 131
 - 3. 129
 - 4. 128

Question ID : 9489115085
Option 1 ID : 94891120340
Option 2 ID : 94891120338
Option 3 ID : 94891120339
Option 4 ID : 94891120337
Status : Answered
Chosen Option : 3