

IBPS PO Pre 2022 (16th October) Shift-Wise Previous Year Papers Mock 08

Directions (1-8): Read the following passage and answer the questions given below. Some words are highlighted to help you answer some of the questions.

The recent stand-off between Russia and Ukraine has captured headlines in the international news media. This geopolitical situation appears to be complex due to the indirect involvement of its multiple stakeholders, including the United States, Turkey and the North Atlantic Treaty Organization (NATO). Increased tensions between Ukraine and Russia can be viewed as a continuation of the unresolved conflict of 2014. Besides powerful rhetoric from NATO, Ukraine seems to be **desperate** to receive more commitments and concrete actions. The question though is how far the NATO alliance can go in its support, given that Ukraine has not yet obtained membership. This partnership aims to maintain and deepen cooperation between countries that have made significant contributions to the NATO-led missions and operations.

The Ukrainian President's visit to Istanbul to mark the 10th anniversary of Ukraine's strategic partnership with Turkey was also an opportunity for him to be reassured by the Turkish President that Turkey stands by Ukraine amidst the current tensions with Russia. During the bilateral meeting, both leaders discussed the security issues in the Black Sea region. Arguably, the cornerstone of the Russia-Ukraine conflict is insufficient communication. Thus, it is very difficult, if not impossible, to speculate on the overarching rationale behind Russia's tactical decisions towards Ukraine. There are more questions than answers regarding the strategic calculus of the Russian administration. A deficit of explicit messages from Moscow creates room for misinterpretations and exaggerations on the part of Ukraine and its western supporters. A long-term solution should be sought out in order to break the **vicious** cycle of animosity and misunderstanding.

The Russian President has been known for his geopolitical adventures, especially in West Asia. In the case of eastern Ukraine, it is highly unlikely that he would be willing to make further territorial gains this time around. He possesses enough diplomatic skills not to indulge in yet another geopolitical endeavour, that might entail serious repercussions from the international community. All the stakeholders in the ongoing crisis should focus on establishing a constructive dialogue among themselves using clear and unambiguous language. The only way forward is to seek a peaceful resolution to the Russia-Ukraine conflict rather than exacerbating the reality and using quid pro quo tactics. Both countries do need support from the global community, but not in a military form. There is a need for a platform that will facilitate negotiation, mutual consensus and possible compromises, as well as engagement with mediators.

Q1. What accounts for misperceptions and exaggerations on the part of Ukraine and its supporters in the West?

- (a) Involvement of other countries in the squabble for their own interests
- (b) Russia's willingness to make more territorial gains in Ukraine.
- (c) Misconceptions are largely due to a lack of clear messages from Moscow.
- (d) Serious prospects that the world community will react negatively.
- (e) A lack of common ground for Russia and Ukraine to reach a mutual agreement.

Test Prime

**ALL EXAMS,
ONE SUBSCRIPTION**



70,000+
Mock Tests



Personalised
Report Card



Unlimited
Re-Attempt



600+
Exam Covered



Previous Year
Papers



500%
Refund



ATTEMPT FREE MOCK NOW

Q2. Why does the author describe the ongoing geopolitical situation between Russia and Ukraine as complicated?

- (a) Multiple stakeholders' indirect intervention has raised tensions between Ukraine and Russia.
- (b) Because the impasse between Russia and Ukraine has deranged the economy throughout the world.
- (c) Due to the active involvement of the NATO, US and Turkey to alleviate the current problem.
- (d) Both (b) and (c)
- (e) Only (a) and (c)

Q3. Which of the following statements is/are correct about Ukraine's strategic partnership with Turkey?

- (a) The security issues in the Black Sea region were discussed by Ukraine and Turkey.
- (b) Despite the current tensions with Russia, Ukraine is anticipating succors from Turkey
- (c) The Russian government is enraged by the Ukrainian President's visit to Istanbul.
- (d) The close collaboration between Ukraine and Turkey has overpowered Russian forces.
- (e) Both (a) and (b)

Q4. What does the author propose as a solution to the ongoing conflict between Russia and Ukraine?

- (a) All stakeholders involved in the current issue should work together to build a productive discourse.
- (b) Rather than worsening the situation, the way forward is to seek a peaceful end to the Russia-Ukraine conflict.
- (c) A platform that facilitates negotiation and mutual agreement is much required to resolve the current conflict.
- (d) Both (a) and (c)
- (e) All of these

Q5. Based on the information provided, which one of the following statements is not true about the Russian President?

- (a) The activities of the Russian President in West Asia illustrate his diplomatic prowess.
- (b) Russian President Vladimir Putin is well-known for his geopolitical edge.
- (c) He has enough diplomatic abilities to avoid any activity that could lead to fatal outcomes.
- (d) Both (b) and (c)
- (e) None of these

Q6. Why is it difficult to speculate on the ultimate motive underlying Russia's tactical moves in Ukraine?

- (a) Russia's silence makes commenting on the underlying motivation for Russia's tactical measures in Ukraine tricky.
- (b) Because of the communication breakdown, speculating on the ultimate motivation behind Russia's tactical operations in Ukraine is difficult.
- (c) It's difficult to speculate on the ultimate motivation behind Russia's tactical measures in Ukraine because the focus is on establishing a positive discussion.

(d) The lack of international support makes it difficult to speculate on Russia's final objective for its operational moves in Ukraine.

(e) Because of the widespread antagonism, speculating on the eventual reason for Russia's strategic actions in Ukraine is hard.

Q7. Choose the most appropriate antonym of the word '**VICIOUS**', as highlighted in the given passage.

- (a) ferocious
- (b) barbaric
- (c) ruthless
- (d) dreadful
- (e) altruistic

Q8. Choose the most appropriate synonym of the word '**DESPERATE**', as highlighted in the passage.

- (a) longing
- (b) jovial
- (c) gladsome
- (d) buoyant
- (e) bubbly

Directions (9-14): In the following paragraph, a few words have been omitted, each of which has been numbered. Select the most appropriate word from the given options to fill in the given blanks correctly in terms of contextual meaning and grammatical accuracy.

Q9. The construction of a new Parliament building and the revamp of the Central Vista Avenue have continued during the lockdown _____ **(9)** _____ in Delhi due to the second wave of the pandemic and have been challenged in court. The Delhi High Court has reserved its judgment in the matter. The government is _____ **(10)** _____ for the records at the National Archives and will store them safely during the Central Vista redevelopment project, Union Culture Minister said in a recent statement. Besides, it is the government's responsibility to _____ **(11)** _____ the archives and it will continue to keep the records safely," he said when asked about the public _____ **(12)** _____ against the proposal. As a part of the Central Vista redevelopment project, the National Archives building was proposed to be _____ **(13)** _____ with a new building meant for use by researchers, according to the draft master plan. The Central Public Works Department (CPWD) was granted environment clearance for the project which includes the _____ **(14)** _____ of several buildings but the National Archives building was not mentioned in the environment clearance.

- (a) hoisted
- (b) inflicted
- (c) tackled
- (d) sliced
- (e) grossed

Q10. The construction of a new Parliament building and the revamp of the Central Vista Avenue have continued during the lockdown _____ **(9)** _____ in Delhi due to the second wave of the pandemic and have been challenged in court. The Delhi High Court has reserved its judgment in the matter. The government is _____ **(10)** _____ for the records at the National Archives and will store them safely during the Central Vista redevelopment project, Union Culture Minister said in a recent statement. Besides, it is the government's responsibility to _____ **(11)** _____ the archives and it will continue to keep the records safely," he said when asked about the public _____ **(12)** _____ against the proposal. As a part of the Central Vista redevelopment project, the National Archives building was proposed to be _____ **(13)** _____ with a new building meant for use by researchers, according to the draft master plan. The Central Public Works Department (CPWD) was granted environment clearance for the project which includes the _____ **(14)** _____ of several buildings but the National Archives building was not mentioned in the environment clearance.

- (a) culpable
- (b) virtuous
- (c) upright
- (d) benignant
- (e) novice

Q11. The construction of a new Parliament building and the revamp of the Central Vista Avenue have continued during the lockdown _____ **(9)** _____ in Delhi due to the second wave of the pandemic and have been challenged in court. The Delhi High Court has reserved its judgment in the matter. The government is _____ **(10)** _____ for the records at the National Archives and will store them safely during the Central Vista redevelopment project, Union Culture Minister said in a recent statement. Besides, it is the government's responsibility to _____ **(11)** _____ the archives and it will continue to keep the records safely," he said when asked about the public _____ **(12)** _____ against the proposal. As a part of the Central Vista redevelopment project, the National Archives building was proposed to be _____ **(13)** _____ with a new building meant for use by researchers, according to the draft master plan. The Central Public Works Department (CPWD) was granted environment clearance for the project which includes the _____ **(14)** _____ of several buildings but the National Archives building was not mentioned in the environment clearance.

- (a) torment
- (b) sustain
- (c) plague
- (d) hound
- (e) bother

Q12. The construction of a new Parliament building and the revamp of the Central Vista Avenue have continued during the lockdown _____ **(9)** _____ in Delhi due to the second wave of the pandemic and have been challenged in court. The Delhi High Court has reserved its judgment in the matter. The government is _____ **(10)** _____ for the records at the National Archives and will store them safely during the Central Vista redevelopment project, Union Culture Minister said in a recent statement. Besides, it is the government's responsibility to _____ **(11)** _____ the archives and it will continue

to keep the records safely,” he said when asked about the public _____ (12)_____ against the proposal. As a part of the Central Vista redevelopment project, the National Archives building was proposed to be _____ (13)_____ with a new building meant for use by researchers, according to the draft master plan. The Central Public Works Department (CPWD) was granted environment clearance for the project which includes the _____ (14)_____ of several buildings but the National Archives building was not mentioned in the environment clearance.

- (a) sanction
- (b) assert
- (c) mandate
- (d) dissent
- (e) upheld

Q13. The construction of a new Parliament building and the revamp of the Central Vista Avenue have continued during the lockdown _____ (9)_____ in Delhi due to the second wave of the pandemic and have been challenged in court. The Delhi High Court has reserved its judgment in the matter. The government is _____ (10)_____ for the records at the National Archives and will store them safely during the Central Vista redevelopment project, Union Culture Minister said in a recent statement. Besides, it is the government’s responsibility to _____ (11)_____ the archives and it will continue to keep the records safely,” he said when asked about the public _____ (12)_____ against the proposal. As a part of the Central Vista redevelopment project, the National Archives building was proposed to be _____ (13)_____ with a new building meant for use by researchers, according to the draft master plan. The Central Public Works Department (CPWD) was granted environment clearance for the project which includes the _____ (14)_____ of several buildings but the National Archives building was not mentioned in the environment clearance.

- (a) mustered
- (b) convened
- (c) congregated
- (d) summoned
- (e) supplanted

Q14. The construction of a new Parliament building and the revamp of the Central Vista Avenue have continued during the lockdown _____ (9)_____ in Delhi due to the second wave of the pandemic and have been challenged in court. The Delhi High Court has reserved its judgment in the matter. The government is _____ (10)_____ for the records at the National Archives and will store them safely during the Central Vista redevelopment project, Union Culture Minister said in a recent statement. Besides, it is the government’s responsibility to _____ (11)_____ the archives and it will continue to keep the records safely,” he said when asked about the public _____ (12)_____ against the proposal. As a part of the Central Vista redevelopment project, the National Archives building was proposed to be _____ (13)_____ with a new building meant for use by researchers, according to the draft master plan. The Central Public Works Department (CPWD) was granted environment clearance for the project which includes the _____ (14)_____ of several buildings but the National Archives building was not mentioned in the environment clearance.

- (a) explication
- (b) erection
- (c) wrecking
- (d) deception
- (e) fabrication

Directions (15-19): In each of the following questions, a sentence has been divided into four parts. One of these parts may or may not contain an error. You are required to choose the erroneous part as your response. If all the given parts are correct, then choose option (e) as your answer choice.

Q15. In many countries, both authorities and (A)/ security agencies are coming to see (B)/ the value of diplomacy as an important (C)/ complement to the function in security services. (D)

- (a) A
- (b) C
- (c) B
- (d) D
- (e) All are correct

Q16. While Jammu and Kashmir have been a problematic (A)/ region since 1947, the situation has evolved (B)/ over time, with periods of extreme violence (C)/ interspersed with periods of relative calm. (D)

- (a) C
- (b) B
- (c) D
- (d) A
- (e) All are correct

Q17. The poor will speak up if the (A)/ correct institutions of governance and authority (B)/ are built and instruments to (C)/ engage with them is made available. (D)

- (a) D
- (b) A
- (c) B
- (d) C
- (e) All are correct

Q18. A locally anchored education vision (A)/ arises from societal and political (B)/ agreements on why children in (C)/ rural areas needs to attend school. (D)

- (a) C
- (b) B
- (c) D
- (d) A
- (e) All are correct

Q19. While security concerns appear to (A)/ be growing in a number of Indian regions, (B)/ the personnel of security agencies (C)/ face a different kind of threat. (D)

- (a) A
- (b) C
- (c) B
- (d) D
- (e) All are correct

Directions (20-25): In each of the questions given below four words are given in bold. These four words may or may not be in their correct position. The sentence is then followed by options with the correct combination of words that should interchange with each other in order to make the sentence grammatically and contextually correct. Find the correct combination of the words that replace each other. If the sentence is correct as it is then select 'No interchange required' as your choice.

Q20. The state-owned reliance (A) is looking to diversify (B) its sources of supply in an attempt to cut down refiner (C) on any particular region (D).

- (a) Only (A)-(C)
- (b) Only (B)-(D)
- (c) Both (A)-(B) and (C)-(D)
- (d) Both (A)-(C) and (B)-(D)
- (e) No interchange needed

Q21. The commuters (A) is gearing up to enable company (B) to book (C) a bus seat using the application (D).

- (a) Only (A)-(D)
- (b) Only (B)-(D)
- (c) Both (A)-(B)
- (d) Both (A)-(C) and (B)-(D)
- (e) No interchange needed

Q22. India is on track to attract (A) foreign direct investment in the current business (B) on account of economic reform(C) and ease of doing fiscal (D).

- (a) Only (A)-(D)
- (b) Only (B)-(D)
- (c) Both (A)-(B)
- (d) Both (B)-(C)
- (e) No interchange needed

Q23. The E-commerce firm said it had **customer (A)** a **festive (B)** jump in its **recorded (C)** base during the first 36 hours of its **twofold (D)** season sale.

- (a) Only (A)-(D)
- (b) Only (B)-(D)
- (c) Both (A)-(B) and (C)-(D)
- (d) Both (A)-(C) and (B)-(D)
- (e) No interchange needed

Q24. The government must take **formation (A)** for its **actions (B)** and allow the **responsibility (C)** of a new **interim (D)** government.

- (a) (A) – (C)
- (b) (C) – (D)
- (c) (B) – (D)
- (d) (A) - (D)
- (e) No interchange required

Q25. The first month of the new **collections (A)** year has **yielded (B)** a sharp **surge (C)** in Goods and Services Tax **financial (D)**

- (a) (A) – (C)
- (b) (C) – (D)
- (c) (B) – (D)
- (d) (A) - (D)
- (e) No interchange required

Directions (26-30): In each of the following questions, a grammatically correct and contextually meaningful sentence has been divided into four parts. You are required to choose the correct rearrangement of the given parts to form a coherent sentence. If the given parts have been placed in the correct sequential order and do not require rearrangement then choose option (e) as your answer choice.

Q26. has managed to significantly increase the (A)/ foundational literacy and numeracy skills of (B)/ children between March and May this year (C)/ the commission for the protection of child rights (D)

- (a) DABC
- (b) CDAB
- (c) ABDC
- (d) BCDA
- (e) No rearrangement required

Q27. in yet another effort to revive interest in its land (A)/ pooling policy, the development department (B)/ announced the reopening of its (C)/ application window for the scheme (D)

- (a) BCAD
- (b) CBDA
- (c) BDAC
- (d) DACB
- (e) No rearrangement required

Q28. powers, and the political turmoil (A)/ the war in Europe, backed by western (B)/ in South Asia dominate (C)/ newspaper headlines today (D)

- (a) CDBA
- (b) BACD
- (c) ACBD
- (d) DBAC
- (e) No rearrangement required

Q29. keep a close eye on developments, (A)/ they can only deal with the present threat (B)/ while the country's security agencies (C)/ it's important to remember that (D)

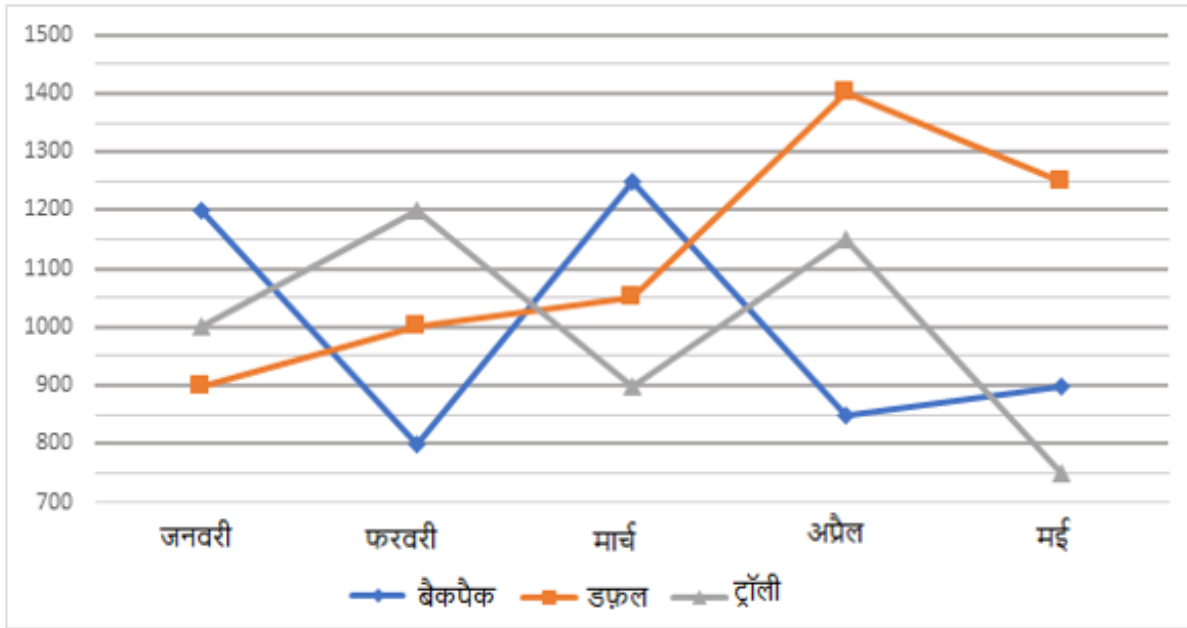
- (a) DBCA
- (b) ADCB
- (c) BDCA
- (d) CADB
- (e) No rearrangement required

Q30. various media reports in recent years have (A)/ highlighted the steep drop in learning results (B)/ as information on school education is (C)/ collected to fix errors and reward achievements (D)

- (a) CDBA
- (b) BACD
- (c) BDCA
- (d) CADB
- (e) No rearrangement required

Directions (31-35): दिए गए रेखा आलेख का ध्यानपूर्वक अध्ययन कीजिए और उस पर आधारित निम्नलिखित प्रश्नों के उत्तर दीजिए।

नीचे दिया गया रेखा आलेख एक कंपनी द्वारा 5 अलग-अलग महीनों में बेचे गए बैग (बैकपैक + डफल + ट्रॉली) की संख्या दर्शाता है।



Q31. फरवरी और मार्च में मिलाकर बेचे गए बैगों की संख्या, मई और जनवरी में मिलाकर बेचे गए बैगों की संख्या का कितना प्रतिशत है?

- (a) $103 \frac{1}{3}\%$
- (b) $111 \frac{1}{3}\%$
- (c) $109 \frac{2}{3}\%$
- (d) 40%
- (e) 100%

Q32. मार्च और अप्रैल में बेचे गए बैकपैक की औसत संख्या तथा फरवरी और मार्च में बेचे गए डफल बैग की औसत संख्या के मध्य अंतर ज्ञात कीजिए।

- (a) 0
- (b) 20
- (c) 10
- (d) 25
- (e) 30

Q33. जून में बेचे गए बैगों की औसत संख्या, फरवरी में बेचे गए बैग की औसत संख्या से 25% अधिक है। यदि जून में बेचे गए डफल बैग, ट्रॉली बैग से $14 \frac{2}{7}\%$ अधिक और बेचे गए बैकपैक से 20% कम हैं, तो जून में बेचे गए कुल डफल बैग ज्ञात कीजिए।

- (a) 1250
- (b) 1650
- (c) 1200
- (d) 1350
- (e) 1450

Q34. फरवरी में बेचे गए ट्रॉली बैग, मई में बेचे गए बैकपैक से कितने प्रतिशत अधिक/कम है?

- (a) 25%
- (b) 40%
- (c) 30%
- (d) $16\frac{2}{3}\%$
- (e) $33\frac{1}{3}\%$

Q35. प्रत्येक बैकपैक, डफल और ट्रॉली की कीमत क्रमशः 50 रु., 40 रु. और 60 रुपये है। अप्रैल में कंपनी की आय ज्ञात कीजिए।

- (a) 127500 रु.
- (b) 186500 रु.
- (c) 167500 रु.
- (d) 212500 रु.
- (e) 148500 रु.

Directions (36-40): निम्नलिखित संख्या श्रृंखला में प्रश्नचिह्न (?) के स्थान पर क्या आएगा?

Q36. 4, 7, 13, 24, 42, 69, ?

- (a) 91
- (b) 107
- (c) 112
- (d) 98
- (e) 102

Q37. 7, 13, 19, 29, 37, 43, ?

- (a) 61
- (b) 57
- (c) 53
- (d) 51
- (e) 55

Q38. ?, 5, 11, 23, 43, 73, 115

- (a) 1
- (b) 2
- (c) 3
- (d) 4
- (e) 5

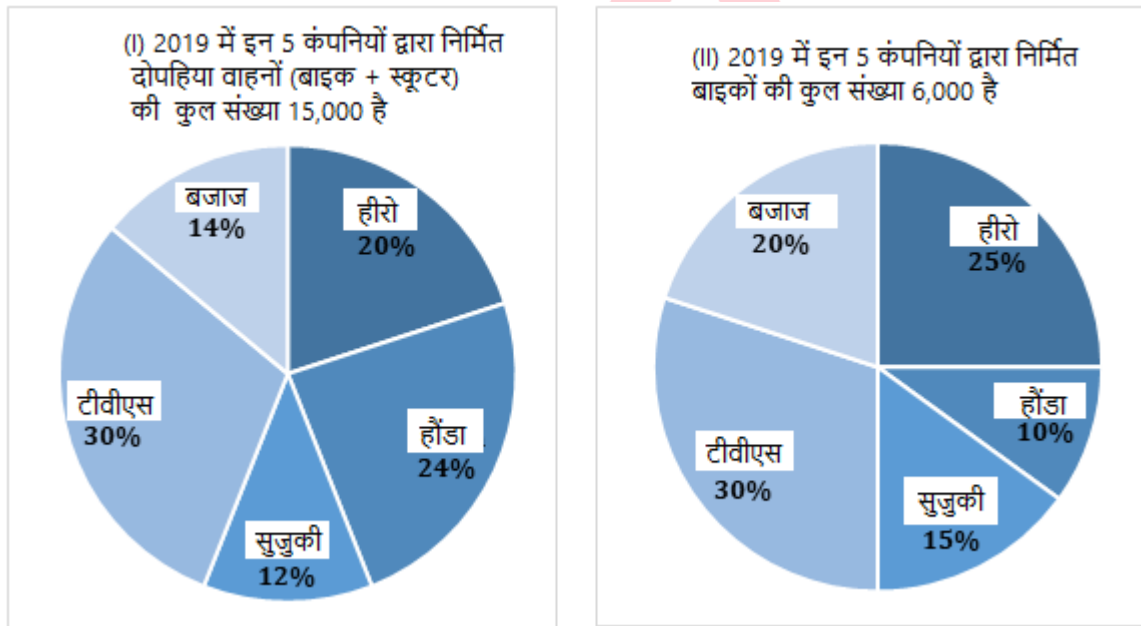
Q39. 32, ?, 24, 60, 210, 945, 5197.5

- (a) 12
- (b) 8
- (c) 15
- (d) 18
- (e) 16

Q40. 5, 3, 3, 5, 15, 69, ?

- (a) 319
- (b) 287
- (c) 361
- (d) 407
- (e) 443

Directions (41-45): नीचे दिए गए पाई चार्ट का अध्ययन कीजिए और निम्नलिखित प्रश्नों के उत्तर दीजिए। पाई चार्ट (I) 2019 में 5 अलग-अलग कंपनियों (हीरो, होंडा, सुजुकी, टीवीएस और बजाज) द्वारा निर्मित दोपहिया वाहनों (बाइक + स्कूटर) की कुल संख्या का प्रतिशत वितरण दर्शाता है और पाई चार्ट (II) 2019 में इन 5 कंपनियों द्वारा निर्मित बाइकों की कुल संख्या का प्रतिशत वितरण दर्शाता है।



Q41. 2019 में सुजुकी और टीवीएस द्वारा मिलाकर निर्मित बाइकों की संख्या, 2019 में होंडा द्वारा निर्मित स्कूटरों की संख्या से कितने प्रतिशत अधिक या कम है?

- (a) 10%
- (b) 40%
- (c) 70%
- (d) 60%
- (e) 30%

Q42. 2019 में हीरो, हौंडा और बजाज द्वारा निर्मित बाइक की औसत संख्या, 2019 में सुजुकी द्वारा निर्मित स्कूटरों की संख्या से कितनी अधिक या कम है?

- (a) 500
- (b) 800
- (c) 600
- (d) 200
- (e) 100

Q43. यदि 2020 में बजाज द्वारा निर्मित स्कूटरों की संख्या, 2019 में हीरो द्वारा निर्मित स्कूटरों की संख्या से 40% अधिक है और 2020 में बजाज द्वारा निर्मित दोपहिया वाहनों (बाइक + स्कूटर) की कुल संख्या, 2019 में टीवीएस द्वारा निर्मित दोपहिया वाहनों (बाइक + स्कूटर) की कुल संख्या से 500 अधिक है, तो 2020 में बजाज द्वारा निर्मित बाइक की संख्या ज्ञात कीजिए।

- (a) 2,000
- (b) 2,900
- (c) 2,400
- (d) 3,000
- (e) उपरोक्त में से कोई नहीं

Q44. 2019 में बजाज और हौंडा द्वारा निर्मित स्कूटरों की संख्या, 2019 में इन 5 कंपनियों द्वारा निर्मित स्कूटरों की कुल संख्या का कितना प्रतिशत है?

- (a) $83 \frac{1}{3}\%$
- (b) $43 \frac{1}{3}\%$
- (c) $66 \frac{2}{3}\%$
- (d) $33 \frac{1}{3}\%$
- (e) $16 \frac{2}{3}\%$

Q45. 2019 में TVS द्वारा निर्मित स्कूटरों की कुल संख्या ज्ञात कीजिए।

- (a) 2,700
- (b) 2,100
- (c) 2,500
- (d) 2,000
- (e) 2,800

Q46. एक दुकानदार एक शर्ट पर क्रय मूल्य से 60% अधिक मूल्य अंकित करता है और 25% की छूट पर बेचता है और 950 रुपये का लाभ अर्जित करता है। यदि पैट का क्रय मूल्य शर्ट के क्रय मूल्य से 40% अधिक है और दोनों का लाभ समान है, तो पैट का विक्रय मूल्य ज्ञात कीजिए।

- (a) 6600 रुपये
- (b) 7200 रुपये
- (c) 6000 रुपये
- (d) 7600 रुपये
- (e) 8400 रुपये

Q47. आयुष ने P रुपये योजना A, जिसमें दो साल के लिए 12.5% वार्षिक दर से चक्रवृद्धि ब्याज मिलता है, में निवेश किए। आयुष ने योजना A से प्राप्त राशि को योजना B, जिसमें 3 वर्षों के लिए 20% वार्षिक दर से साधारण ब्याज मिलता है, में निवेश किया। यदि उसे 2430 रुपये का ब्याज प्राप्त होता है, तो P का मान ज्ञात कीजिए।

- (a) 2700 रुपये
- (b) 6400 रुपये
- (c) 5600 रुपये
- (d) 4900 रुपये
- (e) 3200 रुपये

Q48. हर्ष और देव ने एक-दूसरे से मिलने की योजना बनाई। देव बिंदु A से B तक 42 किमी प्रति घंटे की चाल से 10:00 पूर्वाह्न पर यात्रा करना शुरू करता है और हर्ष बिंदु B से A तक 28 किमी प्रति घंटे की चाल से 12:00 अपराह्न पर यात्रा शुरू करता है। यदि वे 2:30 अपराह्न पर मिलते हैं, तो A और B के बीच की दूरी ज्ञात कीजिए।

- (a) 216 किमी
- (b) 259 किमी
- (c) 244 किमी
- (d) 263 किमी
- (e) 228 किमी

Q49. A और B ने 32500 रुपये और 40000 रुपये के निवेश के साथ एक व्यवसाय शुरू किया। 6 महीने के बाद, A ने 2500 रुपये अधिक निवेश किए जबकि B अपने सारे पैसे वापस ले लेता है। एक और 6 महीने के बाद, A ने 10000 रुपये और जमा किये और C भी 6000 रुपये के साथ उसके साथ जुड़ गया। यदि दो वर्षों के अंत में, C का लाभ हिस्सा 9600 रुपये है, तो B का लाभ हिस्सा ज्ञात कीजिए।

- (a) Rs.3200 रुपये
- (b) Rs.3600 रुपये
- (c) Rs.4000 रुपये
- (d) Rs.3000 रुपये
- (e) Rs.2800 रुपये

Q50. P एक कार्य को पूरा करने में Q से 15 दिन अधिक लेता है जबकि Q की दक्षता P से 60% अधिक है। P, Q और R एक साथ कार्य करना शुरू करते हैं और कार्य को 8 दिनों में पूरा करते हैं। ज्ञात कीजिए कि R अकेला उस कार्य को कितने दिनों में पूरा कर सकता है।

- (a) 21.5 दिन
- (b) 17.5 दिन
- (c) $16\frac{2}{3}$ दिन
- (d) $17\frac{1}{7}$ दिन
- (e) 16.5 दिन

Q51. एक बैग में विभिन्न मूल्यवर्ग के सिक्कों की निश्चित संख्या होती है। 1, 2, और 5 रुपये के सिक्कों की संख्या का अनुपात, क्रमशः 5:6:7 हैं। 5 रुपये के सिक्कों का कुल मूल्य ज्ञात कीजिए, यदि बैग में 1 रुपये के सिक्कों का कुल मान 25 रुपये है।

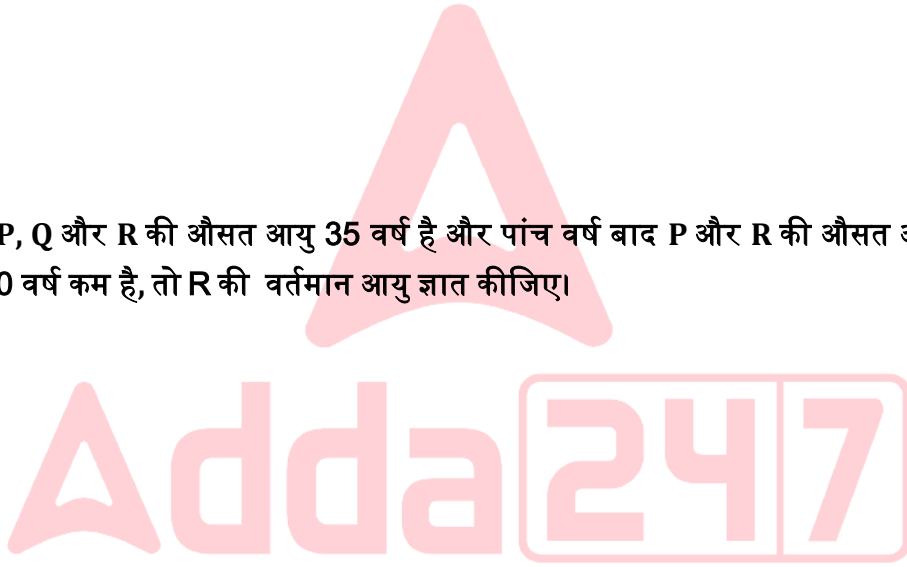
- (a) 100 रुपये
- (b) 175 रुपये
- (c) 115 रुपये
- (d) 145 रुपये
- (e) 75 रुपये

Q52. शांत जल में नाव की चाल धारा की चाल से 40% अधिक है। यदि नाव धारा के अनुकूल 96 किमी और धारा के प्रतिकूल 40 किमी की यात्रा 14 घंटे में कर सकती है, तो नाव द्वारा धारा के अनुकूल 288 किमी की यात्रा करने में लिया गया समय ज्ञात कीजिए।

- (a) 9 घंटे
- (b) 15 घंटे
- (c) 12 घंटे
- (d) 19 घंटे
- (e) 23 घंटे

Q53. पांच वर्ष पूर्व P, Q और R की औसत आयु 35 वर्ष है और पांच वर्ष बाद P और R की औसत आयु 40 है। यदि P की आयु Q की आयु से 10 वर्ष कम है, तो R की वर्तमान आयु ज्ञात कीजिए।

- (a) 35 वर्ष
- (b) 50 वर्ष
- (c) 45 वर्ष
- (d) 40 वर्ष
- (e) 30 वर्ष



Q54. एक ट्रेन एक खम्भे और 300 मीटर लम्बे एक पुल को क्रमशः 8 सेकंड और 20 सेकंड में पार करती है। 54 किमी/घंटा की चाल से चल रही कार को पार करने में ट्रेन द्वारा लिया गया समय ज्ञात कीजिए।

- (a) 17 सेकंड
- (b) 15 सेकंड
- (c) 5 सेकंड
- (d) 7 सेकंड
- (e) 11 सेकंड

Q55. दो जार P और Q हैं जिनमें दूध और पानी का मिश्रण है। जार P में 20 लीटर मिश्रण है जिसमें 70% दूध है। जार Q में 30 लीटर मिश्रण है जिसमें दूध और पानी 3:2 के अनुपात में है। दोनों जार की सामग्री को जार Z में मिलाया जाता है। नए मिश्रण में दूध का प्रतिशत कितना है?

- (a) 22%
- (b) 38%
- (c) 42%
- (d) 75%
- (e) 64%

Q56. एक बेलन की त्रिज्या, 88 सेमी परिमाण वाले एक वर्ग की भुजा की आधी है और बेलन की ऊंचाई, 616 सेमी² क्षेत्रफल वाले एक वृत्त की त्रिज्या के बराबर है। बेलन का आयतन (सेमी³ में) ज्ञात कीजिए।

- (a) 5324
- (b) 5774
- (c) 4924
- (d) 4456
- (e) 3966

Q57. 84 टॉफियों को व्यक्ति A, B और C के बीच वितरित किया गया। A को B की तुलना में 50% कम टॉफियाँ मिली और C को A की तुलना में 20% अधिक टॉफियाँ मिली। यदि B ने A को अपने हिस्से का 25% दिया हो, तो तो A के पास मौजूद टॉफियों की संख्या ज्ञात कीजिए।

- (a) 20
- (b) 30
- (c) 25
- (d) 32
- (e) 28

Q58. 3 सिक्के एकसाथ उछाले जाते हैं। कम से कम दो पट आने की प्रायिकता ज्ञात कीजिए।

- (a) 0.75
- (b) 0.4
- (c) 0.5
- (d) 0.6
- (e) 0.25

Directions (59 -64): निम्नलिखित प्रत्येक प्रश्न में दो समीकरण दिए गए हैं। इन समीकरणों को हल कीजिए और उत्तर दीजिए।

Q59.

I. $x^2 - 16x + 55 = 0$

II. $y^2 + 16y + 55 = 0$

- (a) यदि $x \geq y$, यानी, x, y से बड़ा या उसके बराबर है
- (b) यदि $x > y$, यानी, x, y से बड़ा है
- (c) यदि $x \leq y$, यानी x, y से छोटा या उसके बराबर है
- (d) यदि $x < y$, यानी, x, y से छोटा है
- (e) $x = y$ या x और y के बीच कोई संबंध स्थापित नहीं किया जा सकता है

Q60.

I. $x^2 - 20x + 75 = 0$

II. $y^2 - 13y + 42 = 0$

- (a) यदि $x \geq y$, यानी, x, y से बड़ा या उसके बराबर है
(b) यदि $x > y$, यानी, x, y से बड़ा है
(c) यदि $x \leq y$, यानी x, y से छोटा या उसके बराबर है
(d) यदि $x < y$, यानी, x, y से छोटा है
(e) $x=y$ या x और y के बीच कोई संबंध स्थापित नहीं किया जा सकता है

Q61.

I. $8x^2 - 2x - 45 = 0$

II. $y^2 - 10y + 21 = 0$

- (a) यदि $x \geq y$, यानी, x, y से बड़ा या उसके बराबर है
(b) यदि $x > y$, यानी, x, y से बड़ा है
(c) यदि $x \leq y$, यानी x, y से छोटा या उसके बराबर है
(d) यदि $x < y$, यानी, x, y से छोटा है
(e) $x=y$ या x और y के बीच कोई संबंध स्थापित नहीं किया जा सकता है

Q62.

I. $x^2 + 8x + 15 = 0$

II. $y^2 + 13y + 40 = 0$

- (a) यदि $x \geq y$, यानी, x, y से बड़ा या उसके बराबर है
(b) यदि $x > y$, यानी, x, y से बड़ा है
(c) यदि $x \leq y$, यानी x, y से छोटा या उसके बराबर है
(d) यदि $x < y$, यानी, x, y से छोटा है
(e) $x=y$ या x और y के बीच कोई संबंध स्थापित नहीं किया जा सकता है

Q63.

I. $x^2 - 9x + 20 = 0$

II. $y^2 - 22y + 85 = 0$

- (a) यदि $x \geq y$, यानी, x, y से बड़ा या उसके बराबर है
(b) यदि $x > y$, यानी, x, y से बड़ा है
(c) यदि $x \leq y$, यानी x, y से छोटा या उसके बराबर है
(d) यदि $x < y$, यानी, x, y से छोटा है
(e) $x=y$ या x और y के बीच कोई संबंध स्थापित नहीं किया जा सकता है

Q64.

I. $x^2 - 7x + 6 = 0$

II. $y^2 - 14y + 48 = 0$

- (a) यदि $x \geq y$, यानी, x, y से बड़ा या उसके बराबर है
(b) यदि $x > y$, यानी, x, y से बड़ा है
(c) यदि $x \leq y$, यानी x, y से छोटा या उसके बराबर है
(d) यदि $x < y$, यानी, x, y से छोटा है
(e) $x=y$ या x और y के बीच कोई संबंध स्थापित नहीं किया जा सकता है

Q65. पाइप A और पाइप B मिलकर टैंक को 12 मिनट में भर सकते हैं जबकि पाइप A, पाइप B और पाइप C मिलकर टैंक को 15 मिनट में भर सकते हैं तथा पाइप B और पाइप C मिलकर टैंक को 30 मिनट में भर सकते हैं। पाइप A अकेले कितने समय में टैंक को पूरा भर सकता है? (मिनटों में)

- (a) 20
(b) 60
(c) 40
(d) 30
(e) 50

Directions (66-68): नीचे दिए गए प्रत्येक प्रश्न में कुछ कथन और उसके बाद दो निष्कर्ष दिए गए हैं। आपको दिए गए कथनों को सत्य मानना है, भले ही वे सर्वज्ञात तथ्यों से भिन्न प्रतीत होते हों। सभी निष्कर्षों को पढ़िए और फिर तय कीजिए कि दिए गए निष्कर्षों में से कौन-सा निष्कर्ष सामान्य रूप से ज्ञात तथ्यों की परवाह किए बिना दिए गए कथनों का तार्किक रूप से अनुसरण करता है।

Q66. कथन:

कोई पेन पेंसिल नहीं है।
कोई पेंसिल रबर नहीं है।
सभी पेन मार्कर हैं।

निष्कर्ष:

- I. सभी रबर मार्कर हो सकते हैं
II. कुछ मार्कर रबर हो सकते हैं
(a) यदि केवल निष्कर्ष I अनुसरण करता है
(b) यदि केवल निष्कर्ष II अनुसरण करता है
(c) यदि या तो निष्कर्ष I या II अनुसरण करता है
(d) यदि न तो निष्कर्ष I और न ही II अनुसरण करता है
(e) यदि निष्कर्ष I और II दोनों अनुसरण करते हैं

Q67. कथन:

केवल कुछ बोतल ग्लास हैं।
केवल मग बाउल है।
कुछ मग ग्लास है।

निष्कर्ष:

- I. कोई मग ग्लास नहीं है
- II. कुछ बोतल मग नहीं है
- (a) यदि केवल निष्कर्ष I अनुसरण करता है
- (b) यदि केवल निष्कर्ष II अनुसरण करता है
- (c) यदि या तो निष्कर्ष I या II अनुसरण करता है
- (d) यदि न तो निष्कर्ष I और न ही II अनुसरण करता है
- (e) यदि निष्कर्ष I और II दोनों अनुसरण करते हैं

Q68. कथन:

सभी क्वीन किंग हैं।
कोई किंग जैक नहीं है।
सभी जैक ऐस हैं।

निष्कर्ष:

- I. कोई ऐस क्वीन नहीं है
- II. कुछ क्वीन ऐस हैं
- (a) यदि केवल निष्कर्ष I अनुसरण करता है
- (b) यदि केवल निष्कर्ष II अनुसरण करता है
- (c) यदि या तो निष्कर्ष I या II अनुसरण करता है
- (d) यदि न तो निष्कर्ष I और न ही II अनुसरण करता है
- (e) यदि निष्कर्ष I और II दोनों अनुसरण करते हैं

Directions (69-73): निम्नलिखित जानकारी का अध्ययन कीजिए और दिए गए प्रश्नों के उत्तर दीजिए।

आठ व्यक्तियों- A, S, D, F, G, H, Q और W का जन्म आठ अलग-अलग वर्षों अर्थात् 1960, 1971, 1976, 1985, 1992, 1996, 2004 और 2006 में हुआ था, लेकिन आवश्यक नहीं इसी क्रम में हो। उन सभी का जन्म अलग-अलग वर्षों के एक ही महीने और एक ही तिथि पर हुआ था। सभी व्यक्तियों की आयु की गणना 2021 के अनुसार की जाएगी।

D का जन्म एक विषम वर्ष में हुआ था। D से पहले जन्मे व्यक्तियों की संख्या, A के बाद जन्मे व्यक्तियों की संख्या के समान है। F की आयु एक अभाज्य संख्या है। F और H के बीच में तीन व्यक्तियों का जन्म हुआ था। W का जन्म, G से ठीक पहले हुआ था। G और S के बीच आयु का अंतर, H और D के बीच आयु के अंतर के समान है। S सभी में सबसे छोटा व्यक्ति नहीं है।

Q69. Q का जन्म निम्नलिखित में से किस वर्ष में हुआ था?

- (a) 1996
- (b) 2006
- (c) 1985
- (d) 1976
- (e) इनमें से कोई नहीं

Q70. W की आयु क्या है?

- (a) 61 वर्ष
- (b) 50 वर्ष
- (c) 45 वर्ष
- (d) 36 वर्ष
- (e) इनमें से कोई नहीं

Q71. निम्नलिखित में से कौन सबसे बड़ा व्यक्ति है?

- (a) H
- (b) F
- (c) W
- (d) या तो H या H
- (e) इनमें से कोई नहीं

Q72. Q और G की आयु के बीच कितना अंतर है?

- (a) 30
- (b) 25
- (c) 20
- (d) 21
- (e) इनमें से कोई नहीं

Q73. H और S के बीच में कितने व्यक्तियों का जन्म हुआ था?

- (a) एक
- (b) दो
- (c) तीन
- (d) चार
- (e) इनमें से कोई नहीं

Directions (74-77): नीचे दिए गए प्रश्नों के उत्तर देने के लिए दी गई जानकारी का ध्यानपूर्वक अध्ययन कीजिए।

एक निश्चित कूट भाषा में

“Some IPS are IAS” को “ic qw sy ol” के रूप में कूटबद्ध किया गया है

“All IAS are SDM” को “ol ab qw rh” के रूप में कूटबद्ध किया गया है

“Some officers are SDM” को “ic xk ol rh” के रूप में कूटबद्ध किया गया है

“Some SDM will become DM” को “ea yu ic di rh” के रूप में कूटबद्ध किया गया है

Q74. दी गई कूट भाषा में 'officers' के लिए कूट क्या है?

- (a) xk
- (b) ol
- (c) ic
- (d) या तो xk या ol
- (e) इनमें से कोई नहीं

Q75. दी गई कूट भाषा में 'IPS are Officers' के लिए क्या कूट होगा?

- (a) qw sy ol
- (b) ic xk ol
- (c) ab qw rh
- (d) sy xk ol
- (e) इनमें से कोई नहीं

Q76. कूट 'ab' का प्रयोग निम्नलिखित में से किस शब्द के लिए किया जाता है?

- (a) IAS
- (b) Are
- (c) All
- (d) SDM
- (e) इनमें से कोई नहीं

Q77. दी गई कूट भाषा के अनुसार 'bek' के लिए क्या कूट है?

- (a) ic
- (b) ea
- (c) yu
- (d) di
- (e) निर्धारित नहीं किया जा सकता

Directions (78-82): दिए गए प्रश्नों के उत्तर देने के लिए नीचे दी गई जानकारी का अध्ययन कीजिए।

दस बॉक्स को एक के ऊपर एक ढेर में रखा गया है। V के नीचे छह से अधिक बॉक्स रखे गए हैं। S के नीचे रखे गए बॉक्स की संख्या, V के ऊपर रखे गए बॉक्स की संख्या के समान है। T को S से तीन स्थान ऊपर रखा गया है। V और T के ठीक बीच में Z को रखा गया है। D और G, जो D के नीचे रखा गया है, के बीच चार बॉक्स रखे गए हैं। K को Q के ठीक ऊपर रखा गया है और उन दोनों को G के ऊपर रखा गया है। C को V और B के आसन्न नहीं रखा गया है।

Q78. B के ऊपर कितने बॉक्स रखे गए हैं?

- (a) कोई नहीं
- (b) एक
- (c) दो
- (d) तीन
- (e) तीन से अधिक

Q79. C और D के मध्य कितने बॉक्स रखे गए हैं?

- (a) एक
- (b) तीन
- (c) पांच
- (d) सात
- (e) इनमें से कोई नहीं

Q80. निम्नलिखित पांच में से चार एक निश्चित रूप से एक समूह से संबंधित हैं, वह ज्ञात कीजिए जो उस समूह से संबंधित नहीं है?

- (a) V-Z
- (b) K-G
- (c) T-S
- (d) B-D
- (e) Q-C

Q81. निम्नलिखित में से कौन सा बॉक्स नीचे से दूसरे स्थान पर रखा गया है?

- (a) S
- (b) B
- (c) C
- (d) G
- (e) इनमें से कोई नहीं

Q82. Q और T के बीच रखे गए बॉक्स की संख्या, ___ के ऊपर रखे गए बॉक्स की संख्या के समान है।

- (a) K
- (b) Z
- (c) D
- (d) B
- (e) इनमें से कोई नहीं

Directions (83-87): दी गई संख्या श्रृंखला का अध्ययन कीजिए और नीचे दिए गए प्रश्नों के उत्तर दीजिए।

198 375 843 612 437

Q83. यदि सभी संख्याओं को दायें छोर से आरोही क्रम में व्यवस्थित किया जाता है, तो निम्नलिखित में से कौन-सी संख्या बायें छोर से दूसरी होगी?

- (a) 198
- (b) 375
- (c) 612
- (d) 437
- (e) 843

Q84. यदि सभी अंकों को संख्या के भीतर बायें छोर से अवरोही क्रम में व्यवस्थित किया जाता है, तो निम्नलिखित में से कौन सी तीसरी सबसे बड़ी संख्या बन जाएगी?

- (a) 843
- (b) 375
- (c) 198
- (d) 437
- (e) 612

Q85. यदि प्रत्येक संख्या में, संख्या के भीतर दूसरे और तीसरे अंक को आपस में बदल दिया जाता है, तो पुनर्व्यवस्था के बाद कितनी सम संख्याएँ बनेंगी?

- (a) एक
- (b) दो
- (c) तीन
- (d) चार
- (e) पांच

Q86. श्रृंखला में बायें छोर से तीसरी संख्या में से दायें छोर से पांचवी संख्या घटाने पर परिणाम क्या होगा?

- (a) 414
- (b) 406
- (c) 177
- (d) 645
- (e) इनमें से कोई नहीं

Q87. दी गई श्रृंखला में चौथी सबसे छोटी संख्या के सभी अंकों का योग क्या होगा?

- (a) 18
- (b) 14
- (c) 15
- (d) 9
- (e) इनमें से कोई नहीं

Directions (88-92): दी गई जानकारी का ध्यानपूर्वक अध्ययन कीजिए और निम्नलिखित प्रश्नों के उत्तर दीजिए।

आठ व्यक्ति A, S, D, F, M, N, B और V एक आयताकार मेज के चारों ओर बैठते हैं लेकिन जरूरी नहीं कि इसी क्रम में बैठे हों। चार व्यक्ति मेज के कोने पर बैठे हैं और शेष चार मेज की भुजाओं के मध्य में बैठे हैं। कोने पर बैठे व्यक्ति अंदर की ओर मुख करके बैठे हैं और मेज की भुजाओं के मध्य में बैठे व्यक्ति बाहर की ओर उन्मुख होकर बैठे हैं।

M, V के दायें से तीसरे स्थान पर बैठा है। एक व्यक्ति M और S के बीच में बैठा है। B, S के बायें से दूसरे स्थान पर बैठा है। D, S के आसन्न बैठा है लेकिन V के विपरीत नहीं बैठा है। N, F के ठीक दायें बैठे व्यक्ति के विकर्ण विपरीत बैठा है। A मेज के किसी कोने पर नहीं बैठा है।

Q88. निम्नलिखित में से कौन A के विपरीत बैठा है?

- (a) S
- (b) V
- (c) N
- (d) D
- (e) इनमें से कोई नहीं

Q89. F के दायें से गिने पर B और F के मध्य कितने व्यक्ति बैठे हैं?

- (a) तीन
- (b) एक
- (c) दो
- (d) चार
- (e) इनमें से कोई नहीं

Q90. निम्नलिखित में से कौन N की ओर उन्मुख है?

- (a) V
- (b) S
- (c) B
- (d) D
- (e) इनमें से कोई नहीं

Q91. निम्नलिखित पांच में से चार एक निश्चित तरीके से समान हैं और एक समूह से संबंधित हैं। निम्नलिखित में से कौन समूह से संबंधित नहीं है?

- (a) M-F
- (b) A-D
- (c) F-V
- (d) B-M
- (e) N-S

Q92. F के सापेक्ष में A का स्थान क्या है?

- (a) दायीं ओर चौथा
- (b) बाईं ओर दूसरा
- (c) ठीक दाएं
- (d) बाएं ओर तीसरा
- (e) दाएं ओर दूसरा

Q93. शब्द 'COVERAGE' में अक्षरों के ऐसे कितने युग्म हैं, जिनमें से प्रत्येक के बीच उतने ही अक्षर हैं (दोनों आगे और पीछे की दिशा में) जितने उनके बीच अंग्रेजी वर्णानुक्रम के अनुसार हैं?

- (a) एक
- (b) दो
- (c) तीन
- (d) कोई नहीं
- (e) तीन से अधिक

Directions (94-95): निम्नलिखित जानकारी का अध्ययन कीजिए और नीचे दिए गए प्रश्नों के उत्तर दीजिए।

छ: गेंदें- P, Q, R, S, T और W को उनके भार के अनुसार बायें से दायें अवरोही क्रम में एक पंक्ति में व्यवस्थित किया जाता है लेकिन आवश्यक नहीं कि दिए गए क्रम में हो।

चार गेंदें R से भारी हैं। R और P के बीच तीन गेंदें हैं। S, जो T से भारी है, P उससे भारी है। T सभी में सबसे हल्की गेंद नहीं है। W केवल R से भारी है।

Q94. निम्नलिखित में से कौन सी गेंद केवल Q से भारी है?

- (a) T
- (b) S
- (c) R
- (d) P
- (e) इनमें से कोई नहीं

Q95. निम्नलिखित में से कितनी गेंदें T से भारी हैं?

- (a) तीन
- (b) एक
- (c) दो
- (d) चार
- (e) इनमें से कोई नहीं

Directions (96-100): जानकारी का ध्यानपूर्वक अध्ययन कीजिए और नीचे दिए गए प्रश्नों के उत्तर दीजिए।

छह कर्मचारी एक बैंक में विभिन्न पदों अर्थात क्लर्क, PO, AM, MG, DGM और GM पर काम करते हैं लेकिन जरूरी नहीं कि इसी क्रम में हों। दिए गए सभी पदों पर एक दिए गए क्रम में विचार किया जाना है (चूंकि GM को सबसे वरिष्ठ माना जाता है और क्लर्क को सबसे कनिष्ठ माना जाता है)। उनमें से प्रत्येक को विभिन्न ब्रांड के मोबाइल पसंद हैं।

C, जो वीवो पसंद करता है, केवल तीन व्यक्ति उससे वरिष्ठ हैं। F न तो PO है और न ही MG है। वह व्यक्ति जिसे वनप्लस मोबाइल पसंद है, वह केवल F से वरिष्ठ है। A, B से वरिष्ठ है। E, रियलमी मोबाइल पसंद करने वाले से वरिष्ठ है और एप्पल मोबाइल पसंद करने वाले व्यक्ति से कनिष्ठ है। सैमसंग मोबाइल पसंद करने वाला व्यक्ति, शाओमी मोबाइल पसंद करने वाले से वरिष्ठ और D से कनिष्ठ है। E, D से कनिष्ठ है। B और F को एप्पल मोबाइल पसंद नहीं है। E न तो MG है और न ही DGM है। वह व्यक्ति जिसे शाओमी मोबाइल पसंद है वह MG नहीं है।

Q96. निम्नलिखित में से किसे शाओमी मोबाइल पसंद है?

- (a) B
- (b) F
- (c) E
- (d) A
- (e) इनमें से कोई नहीं

Q97. निम्नलिखित में से कौन क्लर्क है?

- (a) B
- (b) E
- (c) D
- (d) F
- (e) इनमें से कोई नहीं

Q98. वह व्यक्ति जो GM है, निम्नलिखित में से कौन सा मोबाइल पसंद करता है?

- (a) शाओमी
- (b) वनप्लस
- (c) एप्पल
- (d) सैमसंग
- (e) इनमें से कोई नहीं

Q99. D से कितने व्यक्ति कनिष्ठ हैं?

- (a) चार
- (b) दो
- (c) तीन
- (d) चार से अधिक
- (e) कोई नहीं

Q100. निम्नलिखित में से कौन सा कथन F के बारे में सत्य है?

- (a) F को शाओमी मोबाइल पसंद है
- (b) तीन से अधिक व्यक्ति F से कनिष्ठ हैं
- (c) F बैंक का AM है
- (d) F केवल C से कनिष्ठ है
- (e) इनमें से कोई नहीं

Test Prime

**ALL EXAMS,
ONE SUBSCRIPTION**



70,000+
Mock Tests



Personalised
Report Card



Unlimited
Re-Attempt



600+
Exam Covered



Previous Year
Papers



500%
Refund



ATTEMPT FREE MOCK NOW

Solutions

S1. Ans.(c)

Sol. As per the information provided in the last lines of the second paragraph, we can infer that the lack of explicit communications from Moscow allows for misinterpretations and exaggerations by Ukraine and its western supporters.

S2. Ans.(a)

Sol. Among the given options, only statement (a) is correct with reference to the context of the given question. Refer to the starting lines of the first paragraph, "The recent stand-off between Russia and Ukraine has captured headlines in the international news media. This geopolitical situation appears to be complex due to the indirect involvement of its multiple stakeholders, including the United States, Turkey and the North Atlantic Treaty Organization (NATO)."

S3. Ans.(e)

Sol. Among the given options, both (a) and (b) statements are correct. Refer to the starting lines of the second paragraph, "The Ukrainian President's visit to Istanbul to mark the 10th anniversary of Ukraine's strategic partnership with Turkey was also an opportunity for him to be reassured by the Turkish President that Turkey stands by Ukraine amidst the current tensions with Russia. During the bilateral meeting, both leaders discussed the security issues in the Black Sea region."

S4. Ans.(e)

Sol. On referring to the third paragraph thoroughly, we can infer that all of the given statements are correct with reference to the context of the given question.

S5. Ans.(e)

Sol. Based on the information provided, there is no incorrect statement about the Russian President. Refer to the starting line of the third paragraph, "The Russian President has been known for his geopolitical adventures, especially in West Asia. In the case of eastern Ukraine, it is highly unlikely that he would be willing to make further territorial gains this time around. He possesses enough diplomatic skills not to indulge in yet another geopolitical endeavour, that might entail serious repercussions from the international community."

S6. Ans.(b)

Sol. Among the given options, only statement (b) is correct with reference to the context of the given question. While the rest of the statements are incoherent. Refer to the fourth line of the second paragraph, "Arguably, the cornerstone of the Russia-Ukraine conflict is insufficient communication. Thus, it is very difficult, if not impossible, to speculate on the overarching rationale behind Russia's tactical decisions towards Ukraine."

S7. Ans.(e)

Sol. Here, "vicious" means deliberately cruel or violent.

-
- (a) ferocious- savagely fierce, cruel, or violent.
 - (b) barbaric- savagely cruel.
 - (c) ruthless- having or showing no pity or compassion for others.
 - (d) dreadful- causing or involving great suffering.
 - (e) altruistic- showing a wish to help or bring advantages to others.

S8. Ans.(a)

Sol. Here, “desperate” means having a great need or desire for something.

- (a) longing- to have a strong wish or desire.
- (b) jovial- cheerful and friendly.
- (c) gladsome- (of a person) having a cheerful disposition.
- (d) buoyant- cheerful and optimistic.
- (e) bubbly- (of a person) full of cheerful high spirits.

S9. Ans.(b)

Sol. Among the given options, “inflicted” is the most appropriate word to fill in the given blank.

- (a) hoisted- to raise (something) by means of ropes and pulleys.
- (b) inflicted- to impose something unwelcome.
- (c) tackled- to make determined efforts to deal with (a problem or difficult task).
- (d) sliced- to cut (something, especially food) into slices.
- (e) grossed- to produce or earn (an amount of money) as gross profit or income.

S10. Ans.(a)

Sol. Among the given options, “culpable” is the most appropriate word to fill in the given blank.

- (a) culpable- deserving to be blamed or considered responsible for something bad.
- (b) virtuous- having or showing high moral standards.
- (c) upright- strictly honorable or honest.
- (d) benignant- having a good effect; beneficial.
- (e) novice- a person new to and inexperienced in a job or situation.

S11. Ans.(b)

Sol. Among the given options, “sustain” is the most appropriate word to fill in the given blank.

- (a) torment- severe physical or mental suffering.
- (b) sustain- cause to continue for an extended period or without interruption.
- (c) plague- cause continual trouble or distress too.
- (d) hound- harass, persecute, or pursue relentlessly.
- (e) bother- take the trouble to do something.

S12. Ans.(d)

Sol. Among the given options, “dissent” is the most appropriate word to fill in the given blank.

- (a) sanction- a threatened penalty for disobeying a law or rule.
- (b) assert- state a fact or belief confidently and forcefully.
- (c) mandate- an official order or commission to do something.
- (d) dissent- a strong difference of opinion on a particular subject.
- (e) uphold- confirm or support (something which has been questioned).

S13. Ans.(e)

Sol. Among the given options, “supplanted” is the most appropriate word to fill in the given blank.

- (a) mustered- to collect or assemble (a number or amount).
- (b) convened- to come or bring together for a meeting or activity; assemble.
- (c) congregated- to gather into a crowd or mass.
- (d) summoned- to order (someone) to be present.
- (e) supplanted- to take the place of (something or someone).

S14. Ans.(c)

Sol. Among the given options, “wrecking” is the most appropriate word to fill in the given blank.

- (a) explication- the process of analyzing and developing an idea or principle in detail.
- (b) erection- a building or other upright structure.
- (c) wrecking- destroy or severely damage (a structure, vehicle, or similar).
- (d) deception- a statement or action that hides the truth, or the act of hiding the truth.
- (e) fabrication- the action or process of manufacturing or inventing something.

S15. Ans.(d)

Sol. The error lies in part (D). Here, the preposition “in” should be replaced with “of” to make the given sentence grammatically correct.

S16. Ans.(d)

Sol. The error lies in part (A). Here, “have” should be replaced with “has” to make the given sentence grammatically correct as “Jammu and Kashmir” together denotes a singular noun.

S17. Ans.(a)

Sol. The error lies in part (D). Here, “is” should be replaced with “are” to make the given sentence grammatically correct as the given part of the sentence emphasizes the term “instruments” which makes a plural sense.

S18. Ans.(c)

Sol. The error lies in part (D). Here, “needs” should be replaced with “need” to make the given sentence grammatically correct.

S19. Ans.(e)

Sol. All of the given parts are correct and form a contextually meaningful sentence.

S20. Ans.(a)

Sol. In order to make to sentence meaningful, we need to interchange ‘reliance’ with ‘refiner’. Therefore the meaningful sentence will be, “The state-owned **refiner** is looking to **diversify** its sources of supply in an attempt to cut down **reliance** on any particular **region**.”

S21. Ans.(c)

Sol. In order to make to sentence meaningful, we need to interchange 'commuters' with 'company'. Therefore the meaningful sentence will be, "The **company** is gearing up to enable **commuters** to **book** a bus seat using the **application**"

S22. Ans.(b)

Sol. In order to make to sentence meaningful, we need to interchange 'fiscal' with 'business'. Therefore the meaningful sentence will be, "India is on track to **attract** foreign direct investment in the current **fiscal** on account of economic **reforms** and ease of doing **business**".

S23. Ans.(d)

Sol. In order to make to sentence meaningful, we need to interchange 'customer' with 'recorded' and 'festive' with 'twofold'. Therefore, the meaningful sentence will be, "The E-commerce firm said it had **recorded** a **twofold** jump in its **customer** base during the first 36 hours of its **festive** season sale."

S24. Ans.(a)

Sol. We need to interchange (A)-(C) to make sentence contextually meaningful. Therefore, the correct sentence will be "The family must take responsibility for its actions and allow the formation of a new interim government."

S25. Ans.(d)

Sol. We need to interchange (A)-(D) to make sentence contextually meaningful. Therefore, the correct sentence will be "The first month of the new financial year has yielded a sharp surge in Goods and Services Tax collections"

S26. Ans.(a)

Sol. The correct rearrangement of the given parts would be "DABC". The sentence thus formed would be "The commission for the protection of child rights has managed to significantly increase the foundational literacy and numeracy skills of children between March and May this year."

S27. Ans.(e)

Sol. The given parts have been arranged in the correct sequential order. Thus, no rearrangement is required.

S28. Ans.(b)

Sol. The correct rearrangement of the given parts would be "BACD". The sentence thus formed would be "The war in Europe, backed by western powers, and the political turmoil in South Asia dominate newspaper headlines today."

S29. Ans.(d)

Sol. The correct rearrangement of the given parts would be "CADB". The sentence thus formed would be "While the country's security agencies keep a close eye on developments, it's important to remember that they can only deal with the present threat."

S30. Ans.(e)

Sol. The given parts have been arranged in the correct sequential order. Thus, no rearrangement is required.

S31. Ans.(a)

Sol.

$$\begin{aligned} \text{फरवरी और मार्च में मिलाकर बेचे गए बैगों की कुल संख्या} \\ = (800 + 1000 + 1200) + (1250 + 1050 + 900) \\ = 6200 \end{aligned}$$

$$\begin{aligned} \text{मई और जनवरी में बेचे गए बैगों की कुल संख्या} \\ = (900 + 1250 + 750) + (1200 + 900 + 1000) \\ = 6000 \end{aligned}$$

$$\text{अतः, अभीष्ट प्रतिशत} = \frac{6200}{6000} \times 100 = 103\frac{1}{3}\%$$

S32. Ans.(d)

Sol.

$$\text{मार्च और अप्रैल में बेचे गए बैकपैक की औसत संख्या} = \frac{1}{2} \times (1250 + 850) = 1050$$

$$\text{फरवरी और मार्च में बेचे गए डफ़ल बैग की औसत संख्या} = \frac{1}{2} \times (1000 + 1050) = 1025$$

$$\text{अभीष्ट अंतर} = 1050 - 1025 = 25$$

S33. Ans.(c)

Sol.

$$\begin{aligned} \text{जून में बेचे गए बैगों की कुल संख्या} &= 3 \times \frac{5}{4} \times \frac{1}{3} \times (800 + 1000 + 1200) \\ &= 3750 \end{aligned}$$

$$\text{माना कि जून में बेचे गए बैकपैक } 10x \text{ हैं}$$

$$\text{जून में बेचे गए डफ़ल बैग} = 10x \times \frac{80}{100} = 8x$$

$$\text{जून में बेचे गए ट्रॉली बैग} = 8x \times \frac{7}{8} = 7x$$

$$\text{अतः, जून में बेचे गए डफ़ल बैग} = \frac{8x}{25x} \times 3750 = 1200$$

S34. Ans.(e)

Sol.

$$\text{अभीष्ट प्रतिशत} = \frac{1200-900}{900} \times 100$$

$$= 33\frac{1}{3}\%$$

S35. Ans.(c)

Sol.

$$\begin{aligned} \text{अभीष्ट राशि} &= 850 \times 50 + 1400 \times 40 + 1150 \times 60 \\ &= 42500 + 56000 + 69000 \\ &= 167500 \text{ रुपये} \end{aligned}$$

S36. Ans.(b)

Sol.

श्रृंखला का पैटर्न है -

$$4 + (1^2 + 2) = 7$$

$$7 + (2^2 + 2) = 13$$

$$13 + (3^2 + 2) = 24$$

$$24 + (4^2 + 2) = 42$$

$$42 + (5^2 + 2) = 69$$

$$69 + (6^2 + 2) = 107$$

S37. Ans.(c)

Sol.

श्रृंखला एकांतर अभाज्य संख्याओं का समूह है।

7, 11, 13, 17, 19, 23, 29, 31, 37, 41, 43, 47, 53

S38. Ans.(c)

Sol.

श्रृंखला का पैटर्न है -

$$3 + (1 \times 2) = 5$$

$$5 + (2 \times 3) = 11$$

$$11 + (3 \times 4) = 23$$

$$23 + (4 \times 5) = 43$$

$$43 + (5 \times 6) = 73$$

$$73 + (6 \times 7) = 115$$

S39. Ans.(e)

Sol.

श्रृंखला का पैटर्न है -

$$32 \times 0.5 = 16$$

$$16 \times 1.5 = 24$$

$$24 \times 2.5 = 60$$

$$60 \times 3.5 = 210$$

$$210 \times 4.5 = 945$$

$$945 \times 5.5 = 5197.5$$

S40. Ans.(d)

Sol.

श्रृंखला का पैटर्न है -

$$5 \times 1 - 2 = 3$$

$$3 \times 2 - 3 = 3$$

$$3 \times 3 - 4 = 5$$

$$5 \times 4 - 5 = 15$$

$$15 \times 5 - 6 = 69$$

$$69 \times 6 - 7 = 407$$

S41. Ans.(a)

Sol.

$$2019 \text{ में सुजुकी और टीवीएस द्वारा निर्मित बाइक की संख्या} = 6,000 \times \frac{15+30}{100}$$

$$= 2,700$$

$$2019 \text{ में होंडा द्वारा निर्मित स्कूटरों की संख्या} = (15,000 \times \frac{24}{100}) - (6,000 \times \frac{10}{100})$$

$$= 3,600 - 600$$

$$= 3,000$$

$$\text{अभीष्ट \%} = \frac{3,000 - 2,700}{3,000} \times 100$$

$$= 10\%$$

S42. Ans.(d)

Sol.

$$2019 \text{ में हीरो, होंडा और बजाज द्वारा निर्मित बाइक की औसत संख्या} = \frac{1}{3} \times (6,000 \times \frac{25+10+20}{100})$$

$$= \frac{1}{3} \times 3,300$$

$$= 1,100$$

$$2019 \text{ में सुजुकी द्वारा निर्मित स्कूटरों की संख्या} = (15,000 \times \frac{12}{100}) - (6,000 \times \frac{15}{100})$$

$$= 1,800 - 900$$

$$= 900$$

$$\text{अभीष्ट अंतर} = 1,100 - 900$$

$$= 200$$

S43. Ans.(b)

Sol.

$$2020 \text{ में बजाज द्वारा निर्मित दोपहिया वाहनों (बाइक + स्कूटर) की कुल संख्या} = 500 + (15,000 \times \frac{30}{100})$$

$$= 5,000$$

$$2020 \text{ में बजाज द्वारा निर्मित स्कूटरों की संख्या} = \frac{140}{100} \times ((15,000 \times \frac{20}{100}) - (6,000 \times \frac{25}{100}))$$

$$= \frac{140}{100} \times (3,000 - 1,500)$$

$$= 2,100$$

$$\text{अतः, 2020 में बजाज द्वारा निर्मित बाइकों की संख्या} = 5,000 - 2,100$$

$$= 2,900$$

S44. Ans.(b)

Sol.

2019 में बजाज और होंडा द्वारा मिलाकर निर्मित स्कूटरों की संख्या

$$= (15,000 \times \frac{14+24}{100}) - (6,000 \times \frac{20+10}{100})$$

$$= 5,700 - 1,800$$

$$= 3,900$$

2019 में इन 5 कंपनियों द्वारा निर्मित स्कूटरों की कुल संख्या = 15,000 - 6,000

$$= 9,000$$

$$\text{अभीष्ट \%} = \frac{3,900}{9,000} \times 100$$

$$= 43\frac{1}{3}\%$$

S45. Ans.(a)

Sol.

$$\begin{aligned} \text{स्कूटरों की अभीष्ट संख्या} &= \left(15,000 \times \frac{30}{100}\right) - \left(6,000 \times \frac{30}{100}\right) \\ &= 4,500 - 1,800 \\ &= 2,700 \end{aligned}$$

S46. Ans.(d)

Sol.

माना, एक शर्ट का क्रय मूल्य $100x$ है।
 शर्ट का अंकित मूल्य = $160x$
 शर्ट का विक्रय मूल्य = $160x \times \frac{75}{100} = 100x + 950$
 $20x = 950$
 $x = \frac{95}{2}$
 अतः, पैट का विक्रय मूल्य = $100 \times \frac{140}{100} \times \frac{95}{2} + 950$
 $= 7600$ रुपये

S47. Ans.(e)

Sol.

$$\begin{aligned} \text{योजना A से प्राप्त राशि} &= P \left(1 + \frac{12.5}{100}\right)^2 \\ &= \frac{81}{64} P \\ \text{योजना B से प्राप्त ब्याज} &= \frac{\frac{81}{64} P \times 20 \times 3}{100} = 2430 \\ \text{अतः, } P &= \frac{2430 \times 5 \times 64}{81 \times 3} = 3200 \end{aligned}$$

S48. Ans.(b)

Sol.

माना, अभीष्ट दूरी D किमी है।
 $12:00$ अपराह्न तक देव द्वारा तय की गई दूरी = $42 \times 2 = 84$
 एक-दूसरे से मिलने में उन्हें लगने वाला समय = $\frac{D-84}{42+28} = 2.5$
 अतः दूरी अभीष्ट है = $D = 2.5 \times 70 + 84$
 $= 259$ किमी

S49. Ans.(a)

Sol.

A, B और C के लाभ के हिस्से का अनुपात =
 $= 32500 \times 6 + 35000 \times 6 + 45000 \times 12 : 40000 \times 6 : 60000 \times 12$
 $= 63 : 16 : 48$
 अतः, लाभ का अभीष्ट हिस्सा = $\frac{16}{48} \times 9600 = 3200$ रुपये

S50. Ans.(c)

Sol.

माना Q को कार्य पूरा करने में T दिन लगते हैं।

तो, P को T+15 दिन लगते हैं।

P से Q की दक्षता का अनुपात क्रमशः T और T+15 है।

प्रश्नानुसार,

$$\frac{T}{T+15} = \frac{5}{8}$$

$$T = 25$$

तो, P और Q को क्रमशः 40 दिन और 25 दिन लगते हैं।

मान लीजिए कि कुल कार्य 200 इकाई (40 और 25 का ल.स.) है और R की दक्षता a है।

$$\text{तो, } (5 + 8 + a) \times 8 = 200$$

$$a = 12$$

$$\text{अतः, अभीष्ट समय} = \frac{200}{12} = 16\frac{2}{3} \text{ दिन}$$

S51. Ans.(b)

Sol.

माना 1 रुपये के सिक्कों, 2 रुपये के सिक्कों और 5 रुपये के सिक्कों की संख्या 5x, 6x, 7x है

बैग में 1 रुपये के सिक्के का कुल मूल्य 25 रुपये है

बैग में 1 रुपये के सिक्कों की संख्या = 25

$$5x = 25$$

$$x = 5$$

5 रुपये के सिक्कों का कुल मूल्य

$$7 \times 5 \times 5 = 175 \text{ रुपये}$$

S52. Ans.(c)

Sol.

माना धारा की चाल = 5x

$$\text{शांत जल में नाव की चाल} = 5x \times \frac{140}{100} = 7x$$

प्रश्न के अनुसार,

$$\frac{96}{12x} + \frac{40}{2x} = 14$$

$$\frac{8}{x} + \frac{20}{x} = 14$$

$$\frac{28}{14} = x$$

$$x = 2$$

धारा की चाल = 5x = 5 × 2 = 10 किमी/घंटा

शांत जल में नाव की चाल = 7x = 7 × 2 = 14 किमी/घंटा

$$\text{अभीष्ट समय} = \frac{288}{14+10} = 12 \text{ घंटे}$$

S53. Ans.(e)

Sol.

P, Q और R की वर्तमान आयु का योग

$$P+Q+R = 35 \times 3 + 15 = 120 \text{ वर्ष (i)}$$

P और R की वर्तमान आयु का योग

$$P+R = 40 \times 2 - 10 = 70 \text{ वर्ष (ii)}$$

From (i) & (ii)

$$Q = 50 \text{ वर्ष}$$

P की आयु, Q की आयु से 10 वर्ष कम है

$$\text{अतः, } P = 40 \text{ वर्ष}$$

$$R \text{ की वर्तमान आयु} = 70 - 40 = 30 \text{ वर्ष}$$

S54. Ans.(c)

Sol.

माना ट्रेन की लंबाई 'x' मीटर है

प्रश्नानुसार,

$$\frac{x}{8} = \frac{x + 300}{20}$$

$$20x = 8x + 2400$$

$$x = 200$$

$$\text{ट्रेन की चाल} = \frac{200}{8} = 25 \text{ मीटर/सेकंड}$$

$$\text{मीटर/सेकंड में कार की चाल} = 54 \times \frac{5}{18} = 15 \text{ मीटर/सेकंड}$$

$$\text{अभीष्ट समय} = \frac{200}{25+15} = 5 \text{ सेकंड}$$

S55. Ans.(e)

Sol.

$$\text{जार P में दूध की मात्रा} = 20 \times \frac{70}{100} = 14 \text{ लीटर}$$

$$\text{जार P में पानी की मात्रा} = 20 \times \frac{30}{100} = 6 \text{ लीटर}$$

$$\text{जार Q में दूध की मात्रा} = 30 \times \frac{3}{5} = 18 \text{ लीटर}$$

$$\text{जार Q में पानी की मात्रा} = 30 \times \frac{2}{5} = 12 \text{ लीटर}$$

$$\text{जार Z में दूध की मात्रा} = 14+18 = 32 \text{ लीटर}$$

$$\text{जार Z में पानी की मात्रा} = 6+12 = 18 \text{ लीटर}$$

$$\text{अभीष्ट \%} = \frac{32}{50} \times 100 = 64\%$$

S56. Ans.(a)

Sol.

$$\text{वर्ग का भुजा} = \frac{88}{4} = 22 \text{ सेमी}$$

$$\text{बेलन की त्रिज्या} = \frac{22}{2} = 11 \text{ सेमी}$$

$$\text{वृत्त की त्रिज्या} = \sqrt{616 \times \frac{7}{22}} = 14 \text{ सेमी}$$

$$\text{बेलन की ऊँचाई} = 14 \text{ सेमी}$$

$$\begin{aligned} \text{अतः, बेलन का आयतन} &= \frac{22}{7} \times 11 \times 11 \times 14 \\ &= 5324 \text{ सेमी}^3 \end{aligned}$$

S57. Ans.(b)

Sol.

A और B के लिए टॉफ़ी के हिस्से का संबंधित अनुपात = 1: 2

A और C के लिए टॉफ़ी के हिस्से का संबंधित अनुपात = 5: 6

अतः, A, B और C के लिए टॉफ़ी के हिस्से का संबंधित अनुपात = 5: 10: 6

$$\text{B के लिए टॉफ़ी का हिस्सा} = \frac{10}{21} \times 84 = 40$$

$$\begin{aligned} \text{A के लिए टॉफ़ी का हिस्सा} &= \frac{5}{21} \times 84 + \frac{25}{100} \times 40 \\ &= 20 + 10 = 30 \end{aligned}$$

S58. Ans.(c)

Sol.

$$\text{कुल संभावित परिणाम} = 2^3 = 8$$

$$\text{अनुकूल परिणाम} = 4 \text{ (TTH, THT, HTT, TTT)}$$

$$\text{अतः, अभीष्ट प्रायिकता} = \frac{4}{8} = 0.5$$

S59. Ans.(b)

Sol.

$$\text{I. } x^2 - 16x + 55 = 0$$

$$x^2 - 11x - 5x + 55 = 0$$

$$x(x - 11) - 5(x - 11) = 0$$

$$(x - 11)(x - 5) = 0$$

$$x = 11, 5$$

$$\text{II. } y^2 + 16y + 55 = 0$$

$$y^2 + 11y + 5y + 55 = 0$$

$$y(y + 11) + 5(y + 11) = 0$$

$$(y + 11)(y + 5) = 0$$

$$y = -11, -5$$

$$\text{i.e., } x > y$$

S60. Ans.(e)

Sol.

$$\text{I. } x^2 - 20x + 75 = 0$$

$$x^2 - 15x - 5x + 75 = 0$$

$$x(x - 15) - 5(x - 15) = 0$$

$$(x - 5)(x - 15) = 0$$

$$x = 5, 15$$

$$\begin{aligned} \text{II. } y^2 - 13y + 42 &= 0 \\ y^2 - 6y - 7y + 42 &= 0 \\ y(y - 6) - 7(y - 6) &= 0 \\ (y - 7)(y - 6) &= 0 \\ y &= 7, 6 \end{aligned}$$

इसलिए, x और y के बीच कोई संबंध स्थापित नहीं किया जा सकता है

S61. Ans.(d)

Sol.

$$\begin{aligned} \text{I. } 8x^2 - 2x - 45 &= 0 \\ 8x^2 - 20x + 18x - 45 &= 0 \\ 4x(2x - 5) + 9(2x - 5) &= 0 \\ (2x - 5)(4x + 9) &= 0 \\ x &= \frac{5}{2}, \frac{-9}{4} \end{aligned}$$

$$\begin{aligned} \text{II. } y^2 - 10y + 21 &= 0 \\ y^2 - 7y - 3y + 21 &= 0 \\ y(y - 7) - 3(y - 7) &= 0 \\ (y - 7)(y - 3) &= 0 \\ y &= 7, 3 \end{aligned}$$

अतः, $x < y$

S62. Ans.(a)

Sol.

$$\begin{aligned} \text{I. } x^2 + 8x + 15 &= 0 \\ x^2 + 5x + 3x + 15 &= 0 \\ x(x + 5) + 3(x + 5) &= 0 \\ (x + 3)(x + 5) &= 0 \\ x &= -5, -3 \end{aligned}$$

$$\begin{aligned} \text{II. } y^2 + 13y + 40 &= 0 \\ y^2 + 8y + 5y + 40 &= 0 \\ y(y + 8) + 5(y + 8) &= 0 \\ (y + 5)(y + 8) &= 0 \\ y &= -5, -8 \end{aligned}$$

अतः, $x \geq y$

S63. Ans.(c)

Sol.

$$\begin{aligned} \text{I. } x^2 - 9x + 20 &= 0 \\ x^2 - 4x - 5x + 20 &= 0 \\ x(x - 4) - 5(x - 4) &= 0 \\ (x - 4)(x - 5) &= 0 \\ x &= 4, 5 \end{aligned}$$



$$\begin{aligned} \text{II. } y^2 - 22y + 85 &= 0 \\ y^2 - 5y - 17y + 85 &= 0 \\ y(y - 5) - 17(y - 5) &= 0 \\ (y - 17)(y - 5) &= 0 \\ y &= 17, 5 \\ \text{अतः, } x &\leq y \end{aligned}$$

S64. Ans.(c)

Sol.

$$\begin{aligned} \text{I. } x^2 - 7x + 6 &= 0 \\ x^2 - 6x - x + 6 &= 0 \\ x(x - 6) - 1(x - 6) &= 0 \\ (x - 1)(x - 6) &= 0 \\ x &= 6, 1 \end{aligned}$$

$$\begin{aligned} \text{II. } y^2 - 14y + 48 &= 0 \\ y^2 - 6y - 8y + 48 &= 0 \\ y(y - 6) - 8(y - 6) &= 0 \\ (y - 6)(y - 8) &= 0 \\ y &= 6, 8 \\ \text{अतः, } x &\leq y \end{aligned}$$



S65. Ans.(d)

Sol.

$$\begin{aligned} A + B &= \frac{1}{12} \\ A + B + C &= \frac{1}{15} \\ \Rightarrow C &= \frac{1}{15} - \frac{1}{12} = \frac{4-5}{60} = \frac{-1}{60} \end{aligned}$$

पाइप 'C' एक आउटलेट पाइप है जो टैंक को 60 मिनट में खाली कर सकता है।

$$\begin{aligned} B + C &= \frac{1}{30} \\ B &= \frac{1}{30} + \frac{1}{60} = \frac{2+1}{60} = \frac{1}{20} \end{aligned}$$

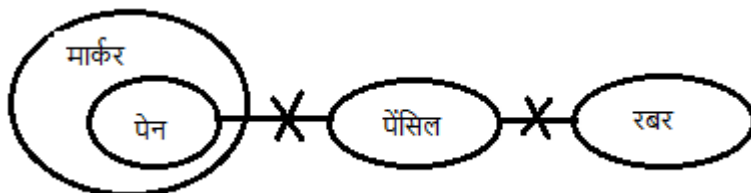
$$\begin{aligned} A + B &= \frac{1}{12} \\ A &= \frac{1}{12} - \frac{1}{20} = \frac{5-3}{60} = \frac{2}{60} = \frac{1}{30} \end{aligned}$$

पाइप 'A' अकेले टैंक को 30 मिनट में पूरी तरह भर सकता है



S66. Ans.(e)

Sol.



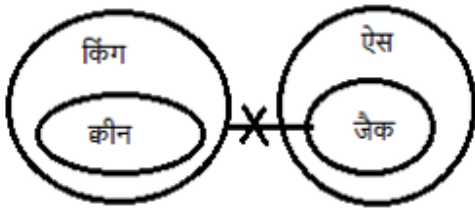
S67. Ans.(a)

Sol.



S68. Ans.(c)

Sol.



S69. Ans.(b)

Sol. कथनों से, D का जन्म विषम वर्ष में हुआ था। दो संभावित स्थितियां हैं। D से पहले जन्मे व्यक्तियों की संख्या, A के बाद जन्मे व्यक्तियों की संख्या के समान है। F की आयु एक अभाज्य संख्या है। F और H के बीच तीन व्यक्तियों का जन्म हुआ।

वर्ष	आयु	व्यक्ति	
		स्थिति 1	स्थिति 1
1960	61	F/H	
1971	50	D	
1976	45		H
1985	36		D
1992	29	H/F	A
1996	25		
2004	17	A	F
2006	15		

W का जन्म G से ठीक पहले हुआ था। G और S के बीच उम्र का अंतर, H और D के बीच उम्र के अंतर के समान है। स्थिति 2 यहां समाप्त हो जाएगी। S सभी में सबसे छोटा व्यक्ति नहीं है।

तो, अंतिम व्यवस्था है:

वर्ष	आयु	व्यक्ति
1960	61	H
1971	50	D
1976	45	W
1985	36	G
1992	29	F
1996	25	S
2004	17	A
2006	15	Q

S70. Ans.(c)

Sol. कथनों से, D का जन्म विषम वर्ष में हुआ था। दो संभावित स्थितियां हैं। D से पहले जन्मे व्यक्तियों की संख्या, A के बाद जन्मे व्यक्तियों की संख्या के समान है। F की आयु एक अभाज्य संख्या है। F और H के बीच तीन व्यक्तियों का जन्म हुआ।

वर्ष	आयु	व्यक्ति	
		स्थिति 1	स्थिति 1
1960	61	F/H	
1971	50	D	
1976	45		H
1985	36		D
1992	29	H/F	A
1996	25		
2004	17	A	F
2006	15		

W का जन्म G से ठीक पहले हुआ था। G और S के बीच उम्र का अंतर, H और D के बीच उम्र के अंतर के समान है। स्थिति 2 यहां समाप्त हो जाएगी। S सभी में सबसे छोटा व्यक्ति नहीं है।

तो, अंतिम व्यवस्था है:

वर्ष	आयु	व्यक्ति
1960	61	H
1971	50	D
1976	45	W
1985	36	G
1992	29	F
1996	25	S
2004	17	A
2006	15	Q

S71. Ans.(a)

Sol. कथनों से, D का जन्म विषम वर्ष में हुआ था। दो संभावित स्थितियां हैं। D से पहले जन्मे व्यक्तियों की संख्या, A के बाद जन्मे व्यक्तियों की संख्या के समान है। F की आयु एक अभाज्य संख्या है। F और H के बीच तीन व्यक्तियों का जन्म हुआ।

वर्ष	आयु	व्यक्ति	
		स्थिति 1	स्थिति 1
1960	61	F/H	
1971	50	D	
1976	45		H
1985	36		D
1992	29	H/F	A
1996	25		
2004	17	A	F
2006	15		

W का जन्म G से ठीक पहले हुआ था। G और S के बीच उम्र का अंतर, H और D के बीच उम्र के अंतर के समान है। स्थिति 2 यहां समाप्त हो जाएगी। S सभी में सबसे छोटा व्यक्ति नहीं है।

तो, अंतिम व्यवस्था है:

वर्ष	आयु	व्यक्ति
1960	61	H
1971	50	D
1976	45	W
1985	36	G
1992	29	F
1996	25	S
2004	17	A
2006	15	Q

S72. Ans.(d)

Sol. कथनों से, D का जन्म विषम वर्ष में हुआ था। दो संभावित स्थितियां हैं। D से पहले जन्मे व्यक्तियों की संख्या, A के बाद जन्मे व्यक्तियों की संख्या के समान है। F की आयु एक अभाज्य संख्या है। F और H के बीच तीन व्यक्तियों का जन्म हुआ।

वर्ष	आयु	व्यक्ति	
		स्थिति 1	स्थिति 1
1960	61	F/H	
1971	50	D	
1976	45		H
1985	36		D
1992	29	H/F	A
1996	25		
2004	17	A	F
2006	15		

W का जन्म G से ठीक पहले हुआ था। G और S के बीच उम्र का अंतर, H और D के बीच उम्र के अंतर के समान है। स्थिति 2 यहां समाप्त हो जाएगी। S सभी में सबसे छोटा व्यक्ति नहीं है।

तो, अंतिम व्यवस्था है:

वर्ष	आयु	व्यक्ति
1960	61	H
1971	50	D
1976	45	W
1985	36	G
1992	29	F
1996	25	S
2004	17	A
2006	15	Q

S73. Ans.(d)

Sol. कथनों से, D का जन्म विषम वर्ष में हुआ था। दो संभावित स्थितियां हैं। D से पहले जन्मे व्यक्तियों की संख्या, A के बाद जन्मे व्यक्तियों की संख्या के समान है। F की आयु एक अभाज्य संख्या है। F और H के बीच तीन व्यक्तियों का जन्म हुआ।

वर्ष	आयु	व्यक्ति	
		स्थिति 1	स्थिति 1
1960	61	F/H	
1971	50	D	
1976	45		H
1985	36		D
1992	29	H/F	A
1996	25		
2004	17	A	F
2006	15		

W का जन्म G से ठीक पहले हुआ था। G और S के बीच उम्र का अंतर, H और D के बीच उम्र के अंतर के समान है। स्थिति 2 यहां समाप्त हो जाएगी। S सभी में सबसे छोटा व्यक्ति नहीं है।

तो, अंतिम व्यवस्था है:

वर्ष	आयु	व्यक्ति
1960	61	H
1971	50	D
1976	45	W
1985	36	G
1992	29	F
1996	25	S
2004	17	A
2006	15	Q

S74. Ans.(a)

Sol.

शब्द	कूट
Some	ic
IPS	sv
are	ol
IAS	qw
All	ab
SDM	Rh
Officers	Xk
Will/become/DM	dj/yu/ea

S75. Ans.(d)

Sol.

शब्द	कूट
Some	ic
IPS	sv
are	ol
IAS	qw
All	ab
SDM	Rh
Officers	Xk
Will/become/DM	dj/yu/ea

S76. Ans.(c)

Sol.

शब्द	कूट
Some	ic
IPS	sv
are	ol
IAS	qw
All	ab
SDM	Rh
Officers	Xk
Will/become/DM	dj/yu/ea

S77. Ans.(e)

Sol.

शब्द	कूट
Some	ic
IPS	sv
are	ol
IAS	qw
All	ab
SDM	Rh
Officers	Xk
Will/become/DM	dj/yu/ea

S78. Ans.(b)

Sol. V के नीचे छह से अधिक बॉक्स रखे गए हैं। यहां, हमारे पास तीन संभावनाएं हैं। S के नीचे रखे बॉक्स की संख्या, V के ऊपर रखे बॉक्स की संख्या के समान है। T, S से तीन स्थान ऊपर रखा गया है। V और T के ठीक बीच में Z को रखा गया है।

बॉक्स		
स्थिति 1	स्थिति 2	स्थिति 3
		V
	V	
V		
Z	Z	Z
T		
	T	
		T
S		
	S	
		S

D और G, जो D के नीचे रखा गया है, के बीच चार बॉक्स रखे गए हैं। K को Q के ठीक ऊपर रखा गया है और दोनों को G के ऊपर रखा गया है। स्थिति 1 यहां समाप्त हो जाएगी। C को V और B के आसन्न नहीं रखा गया है। स्थिति 2 यहां समाप्त हो जाएगी। तो, अंतिम व्यवस्था है:

बॉक्स
V
B
D
Z
K
Q
T
G
C
S



S79. Ans.(c)

Sol. V के नीचे छह से अधिक बॉक्स रखे गए हैं। यहां, हमारे पास तीन संभावनाएं हैं। S के नीचे रखे बॉक्स की संख्या, V के ऊपर रखे बॉक्स की संख्या के समान है। T, S से तीन स्थान ऊपर रखा गया है। V और T के ठीक बीच में Z को रखा गया है।

बॉक्स		
स्थिति 1	स्थिति 2	स्थिति 3
		V
	V	
V		
Z	Z	Z
T		
	T	
		T
S		
	S	
		S

D और G, जो D के नीचे रखा गया है, के बीच चार बॉक्स रखे गए हैं। K को Q के ठीक ऊपर रखा गया है और दोनों को G के ऊपर रखा गया है। स्थिति 1 यहां समाप्त हो जाएगी। C को V और B के आसन्न नहीं रखा गया है। स्थिति 2 यहां समाप्त हो जाएगी। तो, अंतिम व्यवस्था है:

बॉक्स
V
B
D
Z
K
Q
T
G
C
S

S80. Ans.(d)

Sol. V के नीचे छह से अधिक बॉक्स रखे गए हैं। यहां, हमारे पास तीन संभावनाएं हैं। S के नीचे रखे बॉक्स की संख्या, V के ऊपर रखे बॉक्स की संख्या के समान है। T, S से तीन स्थान ऊपर रखा गया है। V और T के ठीक बीच में Z को रखा गया है।

बॉक्स		
स्थिति 1	स्थिति 2	स्थिति 3
		V
	V	
V		
Z	Z	Z
T		
	T	
		T
S		
	S	
		S

D और G, जो D के नीचे रखा गया है, के बीच चार बॉक्स रखे गए हैं। K को Q के ठीक ऊपर रखा गया है और दोनों को G के ऊपर रखा गया है। स्थिति 1 यहां समाप्त हो जाएगी। C को V और B के आसन्न नहीं रखा गया है। स्थिति 2 यहां समाप्त हो जाएगी। तो, अंतिम व्यवस्था है:

बॉक्स
V
B
D
Z
K
Q
T
G
C
S

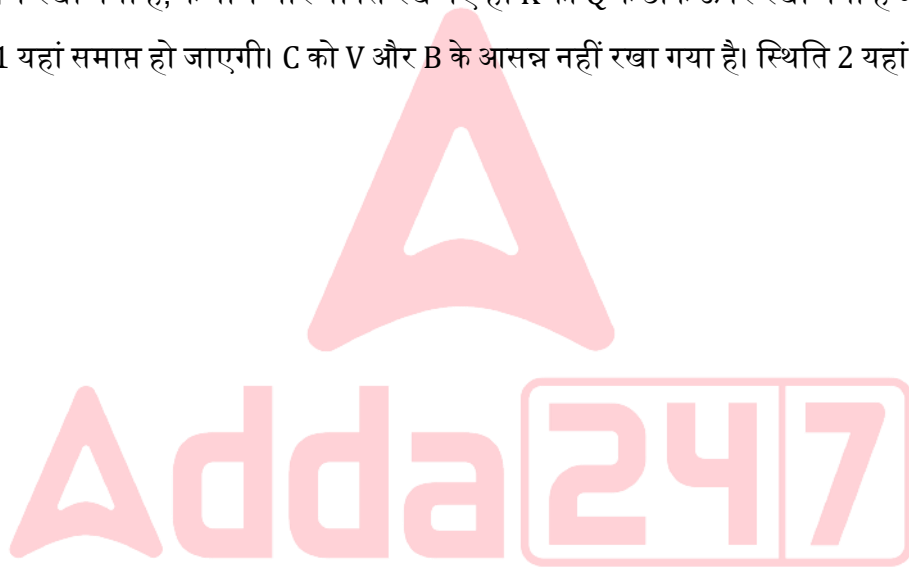
S81. Ans.(c)

Sol. V के नीचे छह से अधिक बॉक्स रखे गए हैं। यहां, हमारे पास तीन संभावनाएं हैं। S के नीचे रखे बॉक्स की संख्या, V के ऊपर रखे बॉक्स की संख्या के समान है। T, S से तीन स्थान ऊपर रखा गया है। V और T के ठीक बीच में Z को रखा गया है।

बॉक्स		
स्थिति 1	स्थिति 2	स्थिति 3
		V
	V	
V		
Z	Z	Z
T		
	T	
		T
S		
	S	
		S

D और G, जो D के नीचे रखा गया है, के बीच चार बॉक्स रखे गए हैं। K को Q के ठीक ऊपर रखा गया है और दोनों को G के ऊपर रखा गया है। स्थिति 1 यहां समाप्त हो जाएगी। C को V और B के आसन्न नहीं रखा गया है। स्थिति 2 यहां समाप्त हो जाएगी। तो, अंतिम व्यवस्था है:

बॉक्स
V
B
D
Z
K
Q
T
G
C
S


S82. Ans.(e)

Sol. V के नीचे छह से अधिक बॉक्स रखे गए हैं। यहां, हमारे पास तीन संभावनाएं हैं। S के नीचे रखे बॉक्स की संख्या, V के ऊपर रखे बॉक्स की संख्या के समान है। T, S से तीन स्थान ऊपर रखा गया है। V और T के ठीक बीच में Z को रखा गया है।

बॉक्स		
स्थिति 1	स्थिति 2	स्थिति 3
		V
	V	
V		
Z	Z	Z
T		
	T	
		T
S		
	S	
		S

D और G, जो D के नीचे रखा गया है, के बीच चार बॉक्स रखे गए हैं। K को Q के ठीक ऊपर रखा गया है और दोनों को G के ऊपर रखा गया है। स्थिति 1 यहां समाप्त हो जाएगी। C को V और B के आसन्न नहीं रखा गया है। स्थिति 2 यहां समाप्त हो जाएगी। तो, अंतिम व्यवस्था है:

बॉक्स
V
B
D
Z
K
Q
T
G
C
S

S83. Ans.(c)

Sol. 843 612 437 375 198

S84. Ans.(b)

Sol. 981 753 843 621 743

S85. Ans.(a)

Sol. 189 357 834 621 473

S86. Ans.(d)

Sol. $843-198=645$

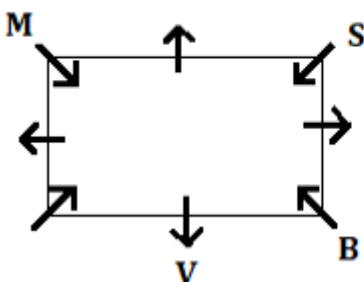
S87. Ans.(d)

Sol. योग = $6+1+2=9$

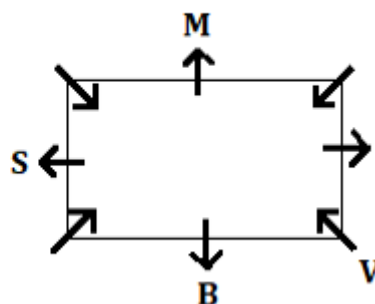
S88. Ans.(d)

Sol. M, V के दायें से तीसरे स्थान पर बैठा है। दो संभावित स्थितियां हैं। M और S के बीच एक व्यक्ति बैठा है। B, S के बायीं ओर दूसरे स्थान पर बैठा है।

स्थिति 1

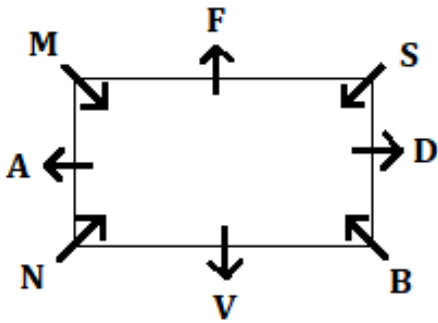


स्थिति 2



D, S के आसन्न बैठा है लेकिन V के विपरीत नहीं। N, F के ठीक दाएँ बैठे व्यक्ति के विकर्णतः विपरीत बैठा है। स्थिति 2 यहां समाप्त हो जाएगी।

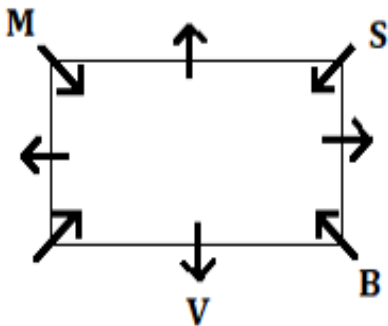
तो, अंतिम व्यवस्था है:



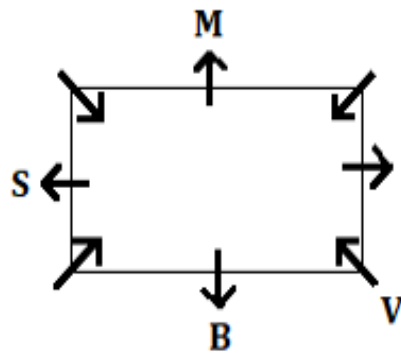
S89. Ans.(c)

Sol. M, V के दायें से तीसरे स्थान पर बैठा है। दो संभावित स्थितियां हैं। M और S के बीच एक व्यक्ति बैठा है। B, S के बायीं ओर दूसरे स्थान पर बैठा है।

स्थिति 1

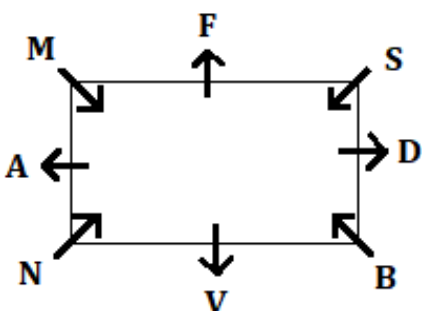


स्थिति 2



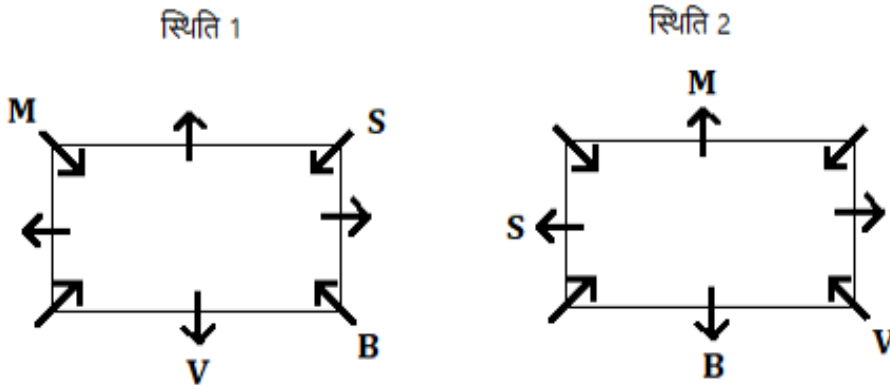
D, S के आसन्न बैठा है लेकिन V के विपरीत नहीं। N, F के ठीक दाएँ बैठे व्यक्ति के विकर्णतः विपरीत बैठा है। स्थिति 2 यहां समाप्त हो जाएगी।

तो, अंतिम व्यवस्था है:



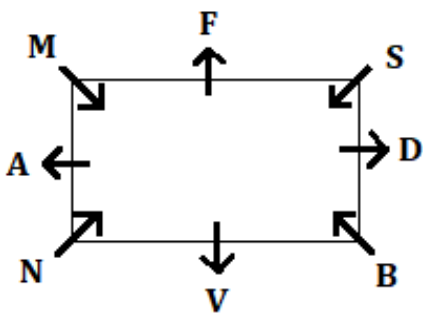
S90. Ans.(b)

Sol. M, V के दायें से तीसरे स्थान पर बैठा है। दो संभावित स्थितियां हैं। M और S के बीच एक व्यक्ति बैठा है। B, S के बायीं ओर दूसरे स्थान पर बैठा है।



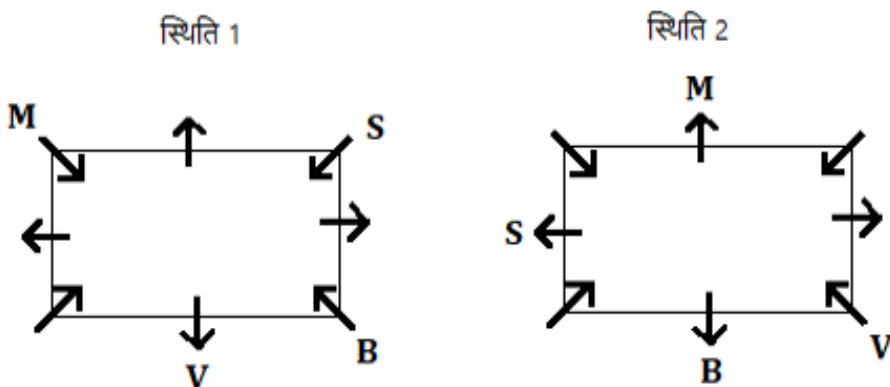
D, S के आसन्न बैठा है लेकिन V के विपरीत नहीं। N, F के ठीक दाएँ बैठे व्यक्ति के विकर्णतः विपरीत बैठा है। स्थिति 2 यहां समाप्त हो जाएगी।

तो, अंतिम व्यवस्था है:



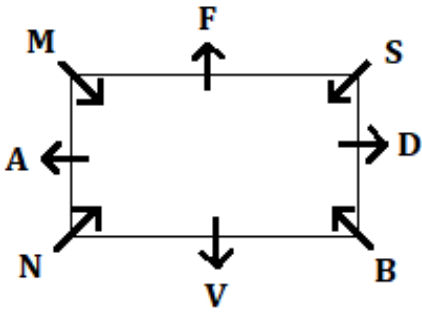
S91. Ans.(a)

Sol. M, V के दायें से तीसरे स्थान पर बैठा है। दो संभावित स्थितियां हैं। M और S के बीच एक व्यक्ति बैठा है। B, S के बायीं ओर दूसरे स्थान पर बैठा है।



D, S के आसन्न बैठा है लेकिन V के विपरीत नहीं। N, F के ठीक दाएँ बैठे व्यक्ति के विकर्णतः विपरीत बैठा है। स्थिति 2 यहां समाप्त हो जाएगी।

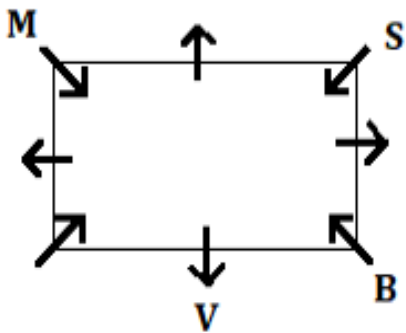
तो, अंतिम व्यवस्था है:



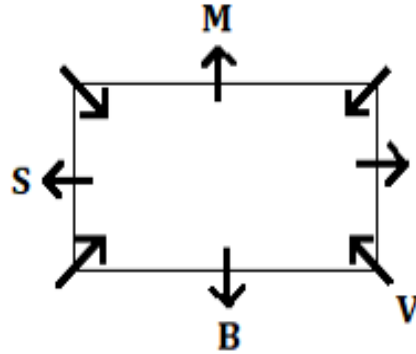
S92. Ans.(b)

Sol. M, V के दायें से तीसरे स्थान पर बैठा है। दो संभावित स्थितियां हैं। M और S के बीच एक व्यक्ति बैठा है। B, S के बायीं ओर दूसरे स्थान पर बैठा है।

स्थिति 1

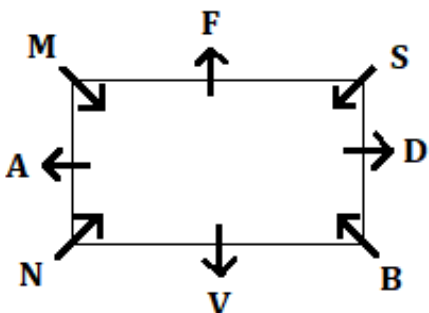


स्थिति 2




D, S के आसन्न बैठा है लेकिन V के विपरीत नहीं। N, F के ठीक दाएँ बैठे व्यक्ति के विकर्णतः विपरीत बैठा है। स्थिति 2 यहां समाप्त हो जाएगी।

तो, अंतिम व्यवस्था है:



S93. Ans.(a)

Sol.


C O V E R A G E

S94. Ans.(c)

Sol. $P > S > T > W > R > Q$

S95. Ans.(c)

Sol. $P > S > T > W > R > Q$

S96. Ans.(c)

Sol. केवल तीन व्यक्ति C, जो वीवो पसंद करता है, से वरिष्ठ हैं। F न तो PO है और न ही MG है। वह व्यक्ति जिसे वनप्लस मोबाइल पसंद है वह F से ठीक वरिष्ठ है। दो संभावनाएँ हैं। E न तो MG है और न ही DGM है। E, D से कनिष्ठ है। E, रियलमी मोबाइल पसंद करने वाले व्यक्ति से वरिष्ठ है।

पद	स्थिति 1		स्थिति-2	
	व्यक्ति	मोबाइल	व्यक्तियों	मोबाइल
GM				वनप्लस
DGM			F	
MG				
AM	C	विवो	C	विवो
PO	E	वनप्लस	E	
क्लर्क	F	रियलमी		रियलमी

वह व्यक्ति जिसे शाओमी मोबाइल पसंद है वह MG नहीं है। जो व्यक्ति सैमसंग मोबाइल पसंद करता है वह शाओमी मोबाइल पसंद करने वाले व्यक्ति से वरिष्ठ है और D से कनिष्ठ है। इन स्थितियों से स्थिति-1 समाप्त हो जाएगी। E, एप्पल मोबाइल पसंद करने वाले व्यक्ति से कनिष्ठ है। B और F को एप्पल मोबाइल पसंद नहीं है। A, B से वरिष्ठ है। अंतिम व्यवस्था है-

पद	व्यक्ति	मोबाइल
GM	D	वनप्लस
DGM	F	सैमसंग
MG	A	एप्पल
AM	C	विवो
PO	E	शाओमी
क्लर्क	B	रियलमी

S97. Ans.(a)

Sol. केवल तीन व्यक्ति C, जो वीवो पसंद करता है, से वरिष्ठ हैं। F न तो PO है और न ही MG है। वह व्यक्ति जिसे वनप्लस मोबाइल पसंद है वह F से ठीक वरिष्ठ है। दो संभावनाएँ हैं। E न तो MG है और न ही DGM है। E, D से कनिष्ठ है। E, रियलमी मोबाइल पसंद करने वाले व्यक्ति से वरिष्ठ है।

पद	स्थिति 1		स्थिति-2	
	व्यक्ति	मोबाइल	व्यक्तियों	मोबाइल
GM				वनप्लस
DGM			F	
MG				
AM	C	विवो	C	विवो
PO	E	वनप्लस	E	
क्लर्क	F	रियलमी		रियलमी

वह व्यक्ति जिसे शाओमी मोबाइल पसंद है वह MG नहीं है। जो व्यक्ति सैमसंग मोबाइल पसंद करता है वह शाओमी मोबाइल पसंद करने वाले व्यक्ति से वरिष्ठ है और D से कनिष्ठ है। इन स्थितियों से स्थिति-1 समाप्त हो जाएगी। E, एप्पल मोबाइल पसंद करने वाले व्यक्ति से कनिष्ठ है। B और F को एप्पल मोबाइल पसंद नहीं है। A, B से वरिष्ठ है। अंतिम व्यवस्था है-

पद	व्यक्ति	मोबाइल
GM	D	वनप्लस
DGM	F	सैमसंग
MG	A	एप्पल
AM	C	विवो
PO	E	शाओमी
क्लर्क	B	रियलमी

S98. Ans.(b)

Sol. केवल तीन व्यक्ति C, जो वीवो पसंद करता है, से वरिष्ठ हैं। F न तो PO है और न ही MG है। वह व्यक्ति जिसे वनप्लस मोबाइल पसंद है वह F से ठीक वरिष्ठ है। दो संभावनाएँ हैं। E न तो MG है और न ही DGM है। E, D से कनिष्ठ है। E, रियलमी मोबाइल पसंद करने वाले व्यक्ति से वरिष्ठ है।

पद	स्थिति 1		स्थिति-2	
	व्यक्ति	मोबाइल	व्यक्तियों	मोबाइल
GM				वनप्लस
DGM			F	
MG				
AM	C	विवो	C	विवो
PO	E	वनप्लस	E	
क्लर्क	F	रियलमी		रियलमी

वह व्यक्ति जिसे शाओमी मोबाइल पसंद है वह MG नहीं है। जो व्यक्ति सैमसंग मोबाइल पसंद करता है वह शाओमी मोबाइल पसंद करने वाले व्यक्ति से वरिष्ठ है और D से कनिष्ठ है। इन स्थितियों से स्थिति-1 समाप्त हो जाएगी। E, एप्पल मोबाइल पसंद करने वाले व्यक्ति से कनिष्ठ है। B और F को एप्पल मोबाइल पसंद नहीं है। A, B से वरिष्ठ है। अंतिम व्यवस्था है-

पद	व्यक्ति	मोबाइल
GM	D	वनप्लस
DGM	F	सैमसंग
MG	A	एप्पल
AM	C	विवो
PO	E	शाओमी
क्लर्क	B	रियलमी

S99. Ans.(d)

Sol. केवल तीन व्यक्ति C, जो विवो पसंद करता है, से वरिष्ठ हैं। F न तो PO है और न ही MG है। वह व्यक्ति जिसे वनप्लस मोबाइल पसंद है वह F से ठीक वरिष्ठ है। दो संभावनाएँ हैं। E न तो MG है और न ही DGM है। E, D से कनिष्ठ है। E, रियलमी मोबाइल पसंद करने वाले व्यक्ति से वरिष्ठ है।

पद	स्थिति 1		स्थिति-2	
	व्यक्ति	मोबाइल	व्यक्तियों	मोबाइल
GM				वनप्लस
DGM			F	
MG				
AM	C	विवो	C	विवो
PO	E	वनप्लस	E	
क्लर्क	F	रियलमी		रियलमी

वह व्यक्ति जिसे शाओमी मोबाइल पसंद है वह MG नहीं है। जो व्यक्ति सैमसंग मोबाइल पसंद करता है वह शाओमी मोबाइल पसंद करने वाले व्यक्ति से वरिष्ठ है और D से कनिष्ठ है। इन स्थितियों से स्थिति-1 समाप्त हो जाएगी। E, एप्पल मोबाइल पसंद करने वाले व्यक्ति से कनिष्ठ है। B और F को एप्पल मोबाइल पसंद नहीं है। A, B से वरिष्ठ है। अंतिम व्यवस्था है-

पद	व्यक्ति	मोबाइल
GM	D	वनप्लस
DGM	F	सैमसंग
MG	A	एप्पल
AM	C	विवो
PO	E	शाओमी
क्लर्क	B	रियलमी

S100. Ans.(b)

Sol. केवल तीन व्यक्ति C, जो वीवो पसंद करता है, से वरिष्ठ हैं। F न तो PO है और न ही MG है। वह व्यक्ति जिसे वनप्लस मोबाइल पसंद है वह F से ठीक वरिष्ठ है। दो संभावनाएँ हैं। E न तो MG है और न ही DGM है। E, D से कनिष्ठ है। E, रियलमी मोबाइल पसंद करने वाले व्यक्ति से वरिष्ठ है।

पद	स्थिति 1		स्थिति-2	
	व्यक्ति	मोबाइल	व्यक्तियों	मोबाइल
GM				वनप्लस
DGM			F	
MG				
AM	C	विवो	C	विवो
PO	E	वनप्लस	E	
क्लर्क	F	रियलमी		रियलमी

वह व्यक्ति जिसे शाओमी मोबाइल पसंद है वह MG नहीं है। जो व्यक्ति सैमसंग मोबाइल पसंद करता है वह शाओमी मोबाइल पसंद करने वाले व्यक्ति से वरिष्ठ है और D से कनिष्ठ है। इन स्थितियों से स्थिति-1 समाप्त हो जाएगी। E, एप्पल मोबाइल पसंद करने वाले व्यक्ति से कनिष्ठ है। B और F को एप्पल मोबाइल पसंद नहीं है। A, B से वरिष्ठ है। अंतिम व्यवस्था है-

पद	व्यक्ति	मोबाइल
GM	D	वनप्लस
DGM	F	सैमसंग
MG	A	एप्पल
AM	C	विवो
PO	E	शाओमी
क्लर्क	B	रियलमी

Test Prime

**ALL EXAMS,
ONE SUBSCRIPTION**



70,000+
Mock Tests



Personalised
Report Card



Unlimited
Re-Attempt



600+
Exam Covered



Previous Year
Papers



500%
Refund



ATTEMPT FREE MOCK NOW