

Quiz Date: 19<sup>th</sup> February 2020

**Directions (1-5): Study the information carefully and answer the questions given below.**

Seven persons live at seven different floor of the building (Ground floor is no. 1 and top floor 7). Each of them works in different banks i.e. PNB, BOI, SBI, ICICI, HDFC, BOM and RBL but not necessary in same order.

T lives at 4<sup>th</sup> floor and works in BOM. Two persons live between T and the one who works in PNB. U lives just above the floor of B. The one who works in HDFC live just below Q. U lives at even number floor. Three persons live between U and the one who works in ICICI. Q does not work in ICICI. One person lives between P and X. D lives above the one who works in RBL. One person lives between SBI and BOI. P lives below Q and does not work in SBI and RBL.

Q1. Who among the following lives on 5<sup>th</sup> floor?

- (a) U
- (b) Q
- (c) B
- (d) D
- (e) None of these

Q2. How many persons live between D and the one who works in SBI?

- (a) Three
- (b) Two
- (c) One
- (d) Four
- (e) None

Q3. Who among the following works in BOI?

- (a) D
- (b) T
- (c) P
- (d) U
- (e) None of these

Q4. Who among the following live just above the one who works in RBL?

**BANKERS**

adda247

- (a) The one who works in ICICI
- (b) X
- (c) The one who works in BOI
- (d) P
- (e) The one who works in PNB

Q5. Four of the following five are alike in certain way based from a group, find the one that does not belong to that group?

- (a) Q
- (b) B
- (c) P
- (d) D
- (e) X

**Directions (6-10): Study the information carefully and answer the questions given below.**

Point H is 5m west of point K. Point K is 13 north of point J. Point J is 8m east of point V. Point V is 5m north of point L. Point L is 2m west of point C. Point C is 8m south of point P. Point P is 4m west point X. Point X is south of point W, which is west of point K.

Q6. What is the shortest distance between point X and point W?

- (a) 10m
- (b) 11m
- (c) 8m
- (d) 9m
- (e) None of these

Q7. In which direction point X with respect to point J?

- (a) South-east
- (b) North-west
- (c) North
- (d) South
- (e) None of these

Q8. What is the shortest distance between point P and J?

- (a) 7m
- (b) 9m
- (c)  $\sqrt{45}$ m
- (d) 8m
- (e) None of these

Q9. If point S is south of point H and east of point P then what is the shortest distance between point S and P?

- (a) 2m
- (b) 3m
- (c) 1m
- (d) 4m
- (e) None of these

Q10. Four of the following five are alike in certain way based from a group, find the one that does not belong to that group?

- (a) H-X
- (b) P-J
- (c) K-P
- (d) V-C
- (e) W-J

**Direction (11-15):** In these questions, relationship between different elements is show in the statements. The statements are followed by conclusions. Study the conclusions based on the given statements and select the appropriate answer:

- (a) If only conclusion I follows.
- (b) If only conclusion II follows.
- (c) If either conclusion I or II follows
- (d) If neither conclusion I nor II follows.
- (e) If both conclusions I and II follow.

Q11. **Statements:**  $W \leq E < H = Q > N > L \geq P$

**Conclusion I:**  $H > L$       **II:**  $W < Q$

Q12. **Statements:**  $L \geq R > B = A > Z < C > W$

**Conclusion I:**  $C \geq L$       **II:**  $L > C$

Q13. **Statements:**  $H > L \leq W < M > J > X \geq J = N$

**Conclusion I:**  $J = M$       **II:**  $M > J$

Q14. **Statements:**  $A \geq L = R \geq S > D = O \leq U > V$

**Conclusion I:**  $A \geq O$       **II:**  $U > D$

Q15. **Statements:**  $Z > Q > P = C = R \leq E = G$

**Conclusion I:**  $R \leq Q$       **II:**  $G \geq P$

Q16. If all the letters in the word DISCUSSION are arranged in alphabetical order from right to left in such a way that vowels are arranged first followed by consonants, then how many letters position remains same in new arrangement?

- (a) One
- (b) Three
- (c) Two
- (d) None
- (e) Five

**Directions (17-18): Study the following information carefully and answer the given questions.**

Amongst Six friends, P, Q, R, S, T and U, each got different marks in the examination. Only two persons score more than T. R score more than S. P score less than U. P score more than T. S does not score least. The one who score lowest marks score 40 marks.

Q17. Who scored the lowest marks?

- (a) Q
- (b) R
- (c) P
- (d) S
- (e) None of these

Q18. If R score 45 marks than what may be the score of S?

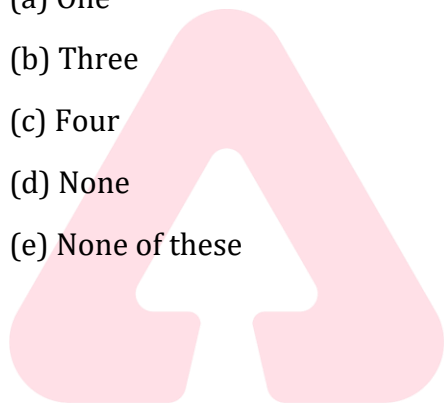
- (a) 39
- (b) 50
- (c) 46
- (d) 43
- (e) 47

Q19. How many pairs of letters (both forward and backward direction) are there in the word "ESPECIALLY" each of which has as many letters between them in the word as they have between them in the English alphabetical series?

- (a) Two
- (b) Four
- (c) Three
- (d) More than Four
- (e) None

Q20. If in the number 536712493, 3 is subtracted to each of the digits which is greater than 4 and 2 is added from each of the digit which is less than 5, then all the digit are arranged in increasing order from right to left in such a way that even number arranged first then odd number arranged how many digits are remains at same position in new arrangement?

- (a) One
- (b) Three
- (c) Four
- (d) None
- (e) None of these



**Solutions**

**Solution(1-5):**

Floor	Person	Banks
7	Q	PNB
6	U	HDFC
5	B	SBI
4	T	BOM
3	P	BOI
2	D	ICICI
1	X	RBL

S1.Ans (c)

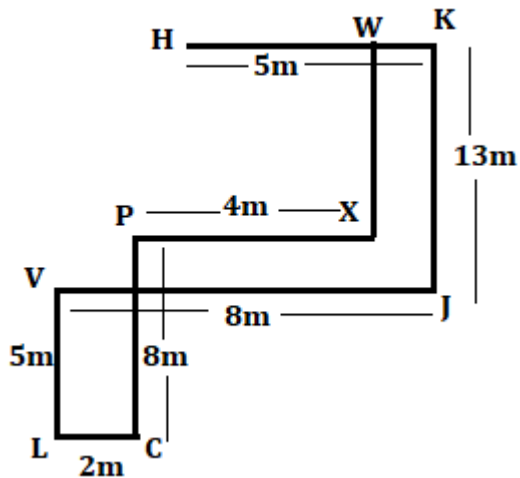
S2.Ans (b)

S3.Ans (c)

S4.Ans (a)

S5.Ans (d)

**Solutions(6-10):**



**Sol.**

S6.Ans(a)

S7.Ans(b)

S8.Ans(c)

S9.Ans(c)

S10.Ans(c)

**Solution(11-15):**

S11. Ans(e)

Sol. I:  $H > L$  (True)

II:  $W < Q$  (True)

S12. Ans(c)

Sol. I:  $C \geq L$  (False)

II:  $L > C$  (False)

S13. Ans(b)

Sol. I:  $J = M$  (False)

II:  $M > J$  (True)

S14. Ans(d)

Sol. I:  $A \geq O$  (False)

II:  $U > D$  (False)

S15. Ans(b)

Sol. I:  $R \leq Q$  (False)

II:  $G \geq P$  (True)

**BANKERS**

**adda247**

S16. Ans.(a)

Sol. Original Word- DISCUSSION

After operation- SSSNDCUOII

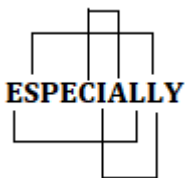
**Solution(17-18):**

Sol.  $U > P > T > R > S > Q$ (40)

S17. Ans(a)

S18. Ans(d)

S19. Ans(b)



Sol.

S20. Ans.(e)

Sol. Original number- 536712493

Obtained number- 553366442

**BANKERS**

**adda247**