

Quiz Date: 26th May 2020

Direction (1-3): **Study the following information carefully to answer the given questions.**

Eight Persons P, Q, R, S, T, U, W and X in a family. There are three married couple. T is sister P. R is grandfather of X. W is father of U. Q is daughter in law of S who is not married to W. X is unmarried male and T is married to U who has no child.

Q1. Who among the following is nephew of T?

- (a) R
- (b) X
- (c) S
- (d) Q
- (e) None of these

Q2. Who among the following is son in law of S?

- (a) P
- (b) X
- (c) R
- (d) U
- (e) None of these

Q3. What is the relation of Q with X?

- (a) Mother
- (b) Aunt
- (c) Grand-Mother
- (d) Sister
- (e) Wife



BANKERS

adda247

Directions (4-6): **Study the following information and answer the questions given below:**

'Q + R' means 'Q is father of R'

'Q ÷ R' means 'R is brother of Q'

'Q × R' means 'Q is husband of R'

'Q - R' means 'Q is sister of R'

Q4. In the expression $B + D - S + C \div A$, how is A related to B?

- (a) Son
- (b) Daughter
- (c) Grandson
- (d) Can't be determined
- (e) None of these

Q5. Which of the following expressions shows that Z is sister of X?

- (a) $J + Z - L + N \div X$
- (b) $J - N - L \div X \times Z$

- (c) $J \times L - Z \div X + N$
- (d) $J - Z - L + N \div X$
- (e) None of these

Q6. Which of the following is true for the given expression?

'P- J + K - L + N ÷ M'

- (a) P is aunt of N's father
- (b) K is father of M
- (c) N is sister of M
- (d) J is father of N
- (e) None of these

Q7. Pointing to a photograph of a girl Rohit says, "She is the only daughter of my father." How is Rohit related to the girl?

- (a) Son
- (b) Brother
- (c) Father
- (d) Uncle
- (e) Nephew

Q8. Shivani says pointing towards a Girl, "She is the daughter of the wife of my brother". In this relation, Shivani is a female then how Shivani is related to the girl?

- (a) Aunt
- (b) Father
- (c) Uncle
- (d) Grandfather
- (e) Sister

Direction (9-13): **Study the following information carefully and answer the given questions.**

There are nine members in three generation family i.e. J, T, U, C, M, Q, E, S, and G. Among them there are 3 married couples and only four females. J is paternal uncle of Q. U has only 2 children. S is daughter-in-law of M and M is son-in-law of T. C is married to M. E and G are sons of C. E is not married. T is father in law of S's father-in-law. T is married to U.

Q9. Who among the following person is father of Q?

- (a) T
- (b) U
- (c) G
- (d) S
- (e) M

Q10. How is G related to T?

- (a) Grandson
- (b) Daughter
- (c) Daughter in law

- (d) Sister
- (e) None of these

Q11. Which of the following is true about U?

- (a) U is aunt of Q
- (b) M is daughter of U
- (c) J is sister of U
- (d) S is grandson of U
- (e) None of true

Q12. How S is related to son in law of T?

- (a) Father
- (b) Daughter in law
- (c) Son
- (d) Sister in law
- (e) Wife

Q13. How M's sister in law is related to J?

- (a) Son in law
- (b) Nephew
- (c) Niece
- (d) Daughter in law
- (e) Sister in law

Directions (14-15): **Study the following information carefully and answer the questions which follow:**

'M + K' means 'M is brother of K'

'M ÷ K' means 'M is father of K'

'M × K' means 'M is wife of K'

'M - K' means 'M is sister of K'

'M = K' means 'M is mother of K'

Q14. In expression 'P × A ÷ M - Z = F', how is F related to P?

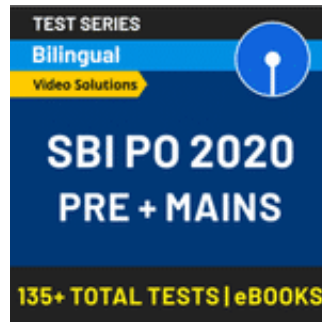
- (a) Grandchild
- (b) Grandson
- (c) Grand daughter
- (d) Grandmother
- (e) Son

Q15. Which of the following expression represents the relationship 'D is daughter - in - law of C'?

- (a) $D \times H + N = E \div C$
- (b) $H + D \times N \div E = C$
- (c) $C = F + L - Z \times D$
- (d) $C \times F \div L \div Z \times D$
- (e) None of these

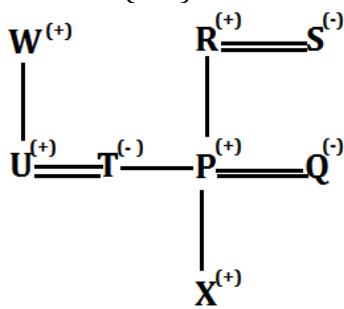
BANKERS

adda247



Solutions

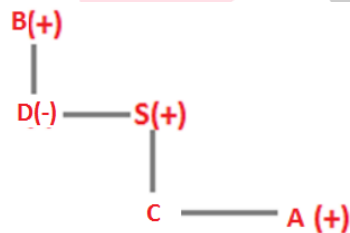
Solutions (1-3):



- S1. Ans.(b)
- S2. Ans.(d)
- S3. Ans.(a)

Solutions (4-6):

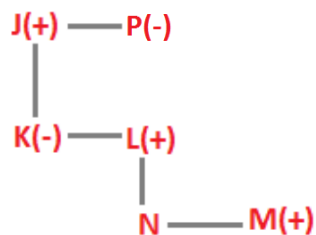
S4. Ans.(c)



Sol.

S5. Ans.(e)

S6. Ans.(a)

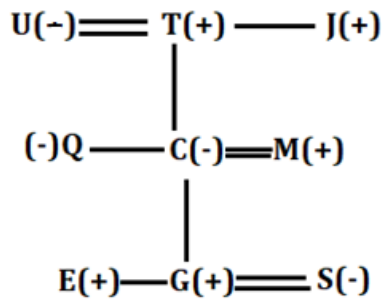


Sol.

S7. Ans.(b)

S8. Ans.(a)

Solutions (9-13):



S9. Ans(a)

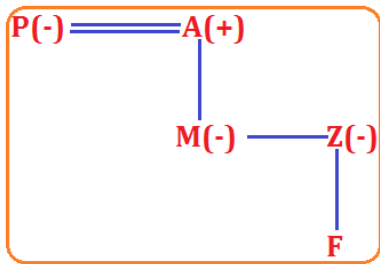
S10. Ans(a)

S11. Ans(e)

S12. Ans(b)

S13. Ans(c)

S14. Ans.(a)



Sol.

S15. Ans.(e)



For any Banking/Insurance exam Assistance, Give a Missed call @ 01141183264