

Quiz Date: 15th June 2020

Directions (1-5): **Study the following information and answer the questions given below:**

There are three rows i.e. row 1, row 2, and row 3 such that row 2 is in the north of row 3 and row 1 is in the north of row 2. There are 4 persons who sit in row 1, 8 persons sit in row 2 and 4 persons sit in row 3.

Persons who sit in the row 3 face north. Persons who sit in row 1 face south. First 4 persons who sit from west to east in row 2 face north and last four persons who sit from west to east in row 2 face south.

Note: All the persons who sit in row 1 and row 3 face the persons who sit in row 2.

P faces the one who sits second to the right of H. No one sits on the left of P. P sits in row 2. Only one person sits between H and E. Only two persons sit between E and the one who faces Q. U sits immediate right of Q. B sits second to the right of the one who faces U. T faces the one who sits on the immediate left of B. S faces G but does not sit at the end of the row. H is not the immediate neighbour of S. Only one person sits between F and G. F faces the one who sits third to the right of R. C and A are immediate neighbours. C does not face U. Only two persons sit between A and D. More than two persons sit between V and W, who does not face D. W does not face south.

Q1. How many persons sit between T and S?

- (a) One
- (b) None
- (c) Three
- (d) Two
- (e) None of these

Q2. Who among the following sits second to the right of W?

- (a) Q
- (b) U
- (c) S
- (d) D
- (e) None of these

Q3. Four of the following five belongs to a group following a certain pattern find the one that does not belong to that group.

- (a) AD
- (b) WV
- (c) EQ
- (d) PU
- (e) FG

Q4. Which among the following pairs sits at the ends of the rows?

- (a) VG

- (b) PB
- (c) FS
- (d) EA
- (e) None of these

Q5. How many persons sit towards the right of D?

- (a) Three
- (b) One
- (c) No one
- (d) Four
- (e) None of these

Directions (6-10): **Study the following information carefully and answer the given questions.**

A word and number arrangement machine when given an input of words and numbers rearranges them following a particular rule. The following is an illustration of input and rearrangement.

Input: STAR 25 42 LEND MICE 80 GREY 63 RIBS 38

Step I: 85 25 42 LEND MICE GREY 63 RIBS 38 ARST

Step II: 58 85 25 42 LEND MICE GREY 38 ARST BIRS

Step III: 47 58 85 25 LEND GREY 38 ARST BIRS CEIM

Step IV: 43 47 58 85 25 GREY ARST BIRS CEIM DELN

Step V: 20 43 47 58 85 ARST BIRS CEIM DELN EGRY

Step V is the last step of the rearrangement. As per the rules followed in the above steps, find out in each of the following questions the appropriate steps for the given input.

Input: 16 HIDE 68 OBEY GLUE 55 87 WAKE 70 JOCK

Q6. How many steps would be needed to complete the arrangement?

- (a) V
- (b) VII
- (c) VI
- (d) IV
- (e) None of these

Q7. Which step number would be the following output?

73 75 82 16 HIDE GLUE 55 AEKW BEOY CJKO

- (a) II
- (b) III
- (c) V
- (d) IV
- (e) None of these

Q8. Which of the following would be Step IV?

- (a) 50 73 75 82 16 GLUE OBEY AEKW CJKO DEIH
- (b) 75 82 16 HIDE 68 GLUE 55 JOCK AEKW BEOY

- (c) 75 82 68 GLUE 16 HIDE 55 JOCK AEKW BEOY
 (d) 50 73 75 82 16 GLUE AEKW BEOY CJKO DEIH
 (e) None of these

Q9. Which of the following element would be the 4th to the left of the one which is 8th from the left end in the step IV?

- (a) 75
 (b) BEOY
 (c) 82
 (d) GLUE
 (e) None of these

Q10. In Step V, which of the following element would be on eighth position from the right end?

- (a) AEKW
 (b) 73
 (c) CJKO
 (d) 82
 (e) None of these

Directions (11-15): **In the following questions, the symbols %, &, @, \$ and * are used with the following meaning as illustrated below.**

'A % B' means 'A is not smaller than B'.

'A & B' means 'A is neither smaller than nor equal to B'.

'A @ B' means 'A is neither greater than nor equal to B'.

'A \$ B' means 'A is neither greater than nor smaller than B'.

'A * B' means 'A is not greater than B'.

Now, in each of the following questions assuming the given statements to be true, find which of the four Conclusions I and II given below them is/are definitely true and give your answer accordingly.

Q11. **Statements:** A&S\$O, P*L&O, D\$A*F

Conclusions:

I. F%D

II. S&P

- (a) Only II is true
 (b) Both I and II is true
 (c) Only I is true
 (d) Either I or II is true
 (e) Neither I nor II is true

Q12. **Statements:** K&F*\$G&L&O%M@R

Conclusions:

I. J&R

II. G%F

- (a) Only I is true

- (b) Neither I nor II is true
- (c) Both I and II is true
- (d) Either I or II is true
- (e) Only II is true

Q13. **Statements:** W&T%X@U, O*P@V\$W

Conclusions:

I. W&O

II. V&X

- (a) Both I and II is true
- (b) Only I is true
- (c) Either I or II is true
- (d) Neither I nor II is true
- (e) Only II is true

Q14. **Statements:** Q\$K&N%P, R*S@X\$Q

Conclusions:

I. R*Q

II. Q&P

- (a) Only I is true
- (b) Only II is true
- (c) Neither I nor II is true
- (d) Either I or II is true
- (e) Both I and II is true

Q15. **Statements:** R\$T&P, Y@T&E, P&O%C

Conclusions:

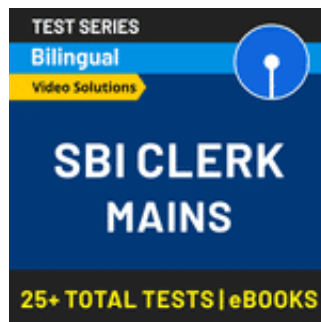
I. T&C

II. E@R

- (a) Only I is true
- (b) Only II is true
- (c) Both I and II is true
- (d) Either I or II is true
- (e) Neither I nor II is true

BANKERS

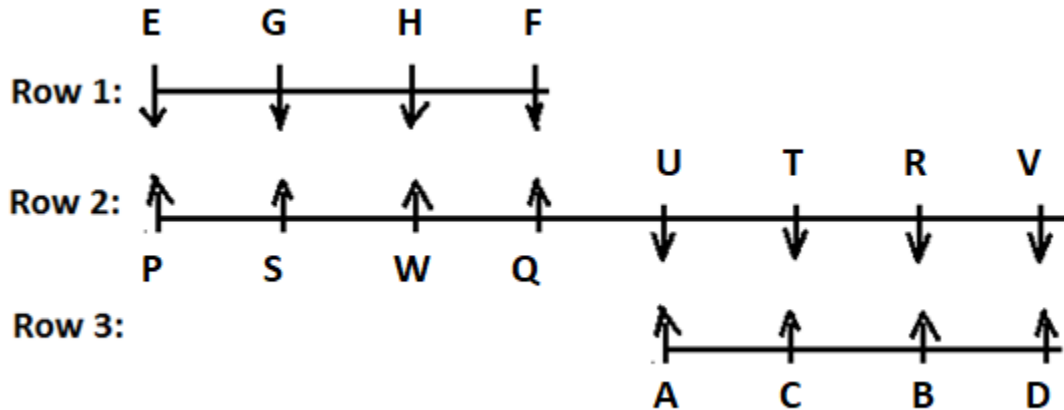
adda247



Solutions

Solutions (1-5):

Sol.



S1. Ans.(c)

S2. Ans.(b)

S3. Ans.(c)

S4. Ans.(d)

S5. Ans.(c)

Solutions (6-10):

Sol. **Logic:** As a first step let's first understand the logic behind the Output. Words are arranged from the right end and numbers are arranged from the left end. In each step, one word and one number are arranged.

Word – Words are arranged in reverse English alphabetical from right to left. In the first step the word starting with the letter having higher place value in the English alphabet is arranged first on the right end and also the letters of the word are arranged in English alphabetical order within the word.

Number- Numbers are arranged in descending order from left to right. In the first step the highest number is arranged first and then in the second step 2nd highest-numbered gets arranged and so on till the last step, also while rearranging the numbers add 5 in the even numbers and subtract 5 from the odd numbers.

Input: 16 HIDE 68 OBEY GLUE 55 87 WAKE 70 JOCK

Step I: 82 16 HIDE 68 OBEY GLUE 55 70 JOCK AEKW

Step II: 75 82 16 HIDE 68 GLUE 55 JOCK AEKW BEOY

Step III: 73 75 82 16 HIDE GLUE 55 AEKW BEOY CJKO

Step IV: 50 73 75 82 16 GLUE AEKW BEOY CJKO DEHI

Step V: 21 50 73 75 82 AEKW BEOY CJKO DEHI EGLU

S6. Ans.(a)

S7. Ans.(b)

S8. Ans.(d)

S9. Ans.(c)

S10. Ans.(b)

Solutions (11-15):

S11. Ans (c)

Sol. I. $F \geq D$ (True)

II. $S > P$ (False)

S12. Ans (e)

Sol. I. $J > R$ (False)

II. $G \geq F$ (True)

S13. Ans (a)

Sol. I. $W > O$ (True)

II. $V > X$ (True)

S14. Ans (b)

Sol. I. $R \leq Q$ (False)

II. $Q > P$ (True)

S15. Ans (c)

Sol. I. $T > C$ (True)

II. $E < R$ (True)



For any Banking/Insurance exam Assistance, Give a Missed call @ 0114118326