

Quiz Date: 30th June 2020

Directions (1-5): Read the following information carefully and answers the questions given below.

Eight friends are sitting around a square table in such a way two persons are sitting on each side facing inside. Each of them likes different colours. C sits third to the right of B who likes White. F is sitting second to the left of E who is not an immediate neighbour of C and B. The one who likes Purple is an immediate neighbour of E. Three people sit between B and the person who likes Green. B, C and also their immediate neighbours do not like Black. Only one person sits between the person who likes Black and C. The persons who like Yellow and Pink are immediate neighbour of each other. C likes neither Pink nor Yellow. Only one person sits between A and the person who likes Blue. A does not like Black and Yellow. D does not like Black. C and F do not sit on the same side of the table. G does not like orange. One person sits between the one who likes pink and H.

Q1. Who among the following faces D?

- (a) A
- (b) G
- (c) E
- (d) C
- (e) None of these

Q2. Who among the following person likes black colour?

- (a) C
- (b) The one who sits immediate left of E
- (c) The one who faces A
- (d) F
- (e) None of these

Q3. Who among the following sits third to the left of F?

- (a) The one who sits second to the right of B
- (b) The one who sits second to the left of H
- (c) The one who likes pink colour
- (d) E
- (e) None of these

Q4. Which of the following statement is not true about H?

- (a) H likes purple colour
- (b) Only three persons are sits between H and C
- (c) H faces the one who likes yellow colour
- (d) H sits second to the right of the one who likes Green colour
- (e) All are true

Q5. What is the position of D with respect to the one who likes orange colour?

- (a) Second to the left
- (b) Fourth to the right

- (c) Immediate right
- (d) Third to the left
- (e) None of these

Directions (6-10): Study the following information carefully to answer the given questions.

A word and number arrangement machine when given an input line of words and numbers rearranges them following a particular rule in each step. The following is an illustration of input and rearrangement.

Input: 49 nature cloud 27 8 temple 9 action wonder 121 famous 81 disturb 125

Step I: wonder 49 nature cloud 27 8 temple action 121 famous 81 disturb 125 9

Step II: temple wonder 49 nature cloud 27 action 121 famous 81 disturb 125 9 8

Step III: nature temple wonder cloud 27 action 121 famous 81 disturb 125 9 8 49

Step IV: famous nature temple wonder cloud action 121 81 disturb 125 9 8 49 27

Step V: disturb famous nature temple wonder cloud action 121 125 9 8 49 27 81

Step VI: cloud disturb famous nature temple wonder action 121 9 8 49 27 81 125

Step VII: action cloud disturb famous nature temple wonder 9 8 49 27 81 125 121

Step VII is the last step of the above input; as the desired arrangement is obtained. As per rules followed in the above steps, find out in each of the following questions the appropriate step for the given input.

Input: candy 729 machine 4 super 25 216 home 169 poetry 144 decode 512 robot

Q6. How many steps will be required to complete the rearrangement?

- (a) Six
- (b) Seven
- (c) Eight
- (d) Five
- (e) None of these

Q7. Which of the following will be Step V?

- (a) home machine poetry robot super candy 169 729 decode 4 216 25 512 144
- (b) machine home poetry robot super candy 729 169 decode 4 216 25 512 144
- (c) home machine poetry robot super candy 729 169 decode 4 216 25 512 144
- (d) home machine poetry robot super candy 729 169 decode 4 216 25 144 512
- (e) None of these

Q8. Which of the following step would be the last but one?

- (a) Step V
- (b) Step VI
- (c) Step IV
- (d) Step VII
- (e) None of these

Q9. If in Step IV 'poetry' is related to '25' and 'super' is related to '4' in certain way, following the same way '729' is related to which of the following?

- (a) decode
- (b) home
- (c) 144
- (d) 216
- (e) None of these

Q10. What is the position of 'candy' in Step III?

- (a) Third from left
- (b) Sixth from right
- (c) Eighth from right
- (d) Fourth from left
- (e) None of these

Q11. Which of the following would replace % and # in the following expression so that $E \leq P$, $P > F$ holds true?

$M < S \% T \geq E = D; P \geq S \# L = C > F$

- (a) $>, \leq$
- (b) $\geq, >$
- (c) $\geq, <$
- (d) $>, =$
- (e) None of these

Q12. In which of the following expressions does the expression 'W < L' and 'U > S' definitely hold true?

- (a) $Y > R \geq S > D > K < L > W = U$
- (b) $R > Y \geq W > U < K = L < D = S$
- (c) $U = R \geq D \geq S > K < L > W = Y$
- (d) $W < K < U = L > Y > R \geq S > D$
- (e) None of these

Q13. Which of the following symbols should replace the question mark in the given statement in order to make conclusion 'Q > L' as well as 'R > V' definitely true?

$Q \geq R ? E = L \geq Y > V$

- (a) =
- (b) \geq
- (c) $>$
- (d) $<$
- (e) None of these

Q14. Which of the following symbols should replace the sign (\$) and (*) respectively in the given expression in order to make the expression $R \geq G$ and $S > E$ definitely true?

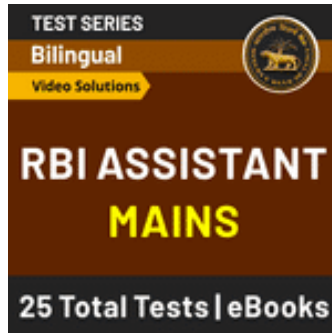
$T > R \geq E \$ D = G \leq B < M * L \leq S$

- (a) \leq, \leq
- (b) $\geq, <$
- (c) $\leq, =$
- (d) $>, \leq$

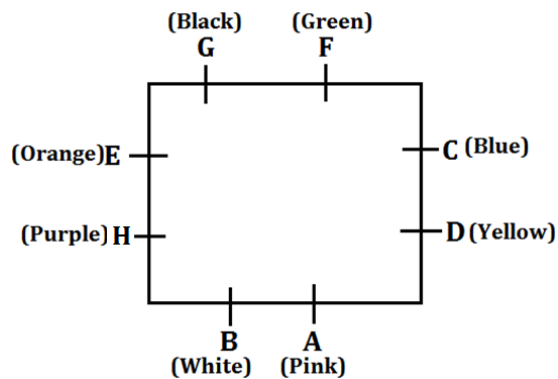
(e) =, <

Q15. Which of the following will be definitely true if the given expression $Q > J \geq K > I \geq U > L = V \leq B > E \leq M$ is definitely not true?

- (a) $K > V$
- (b) $B \geq L$
- (c) $L < Q$
- (d) $U < E$
- (e) $J > L$



Solutions (1-5):
Sol.



- S1. Ans.(e)
- S2. Ans.(b)
- S3. Ans.(c)
- S4. Ans.(d)
- S5. Ans.(b)

Solutions (6-10):

Sol. Let's understand the logic behind this Question and how to solve it. When we see each step, then we can find that –

The machine rearranges one word and one number in each step, words are arranged from left end to the left side and numbers are arranged from right end to the right side.

(i) In this, words are arranged according to the place value of the first letter of the word in decreasing order from right end to left end.

(ii) Numbers are arranged in increasing order alternatively i.e. smallest square number is arranged first then smallest cube number followed by second smallest square number then second smallest cube number and so on.

Input: candy 729 machine 4 super 25 216 home 169 poetry 144 decode 512 robot

Step I: super candy 729 machine 25 216 home 169 poetry 144 decode 512 robot 4

Step II: robot super candy 729 machine 25 home 169 poetry 144 decode 512 4 216

Step III: poetry robot super candy 729 machine home 169 144 decode 512 4 216 25

Step IV: machine poetry robot super candy 729 home 169 144 decode 4 216 25 512

Step V: home machine poetry robot super candy 729 169 decode 4 216 25 512 144

Step VI: decode home machine poetry robot super candy 169 4 216 25 512 144 729

Step VII: candy decode home machine poetry robot super 4 216 25 512 144 729 169

Step VII is the last step of the above input.

S6. Ans(b)

S7. Ans(c)

S8. Ans(b)

S9. Ans(c)

S10. Ans(d)

S11. Ans(b)

S12. Ans(d)

S13. Ans(c)

S14. Ans.(e)

S15. Ans.(d)



For any Banking/Insurance exam Assistance, Give a Missed call @ 01141183264