

Quiz Date: 2nd July 2020

Direction (1-5): Study the following information and answer the given questions:

Eight persons are sitting in a row either facing north or south direction. They like different colours - Green, Yellow, White and Pink such that two persons like same colours. No two persons who like same colours sit together. Not More than two persons facing same direction sit together.

Those who like Pink faces north. Three persons sit between A and F. F like yellow and sit at one of the ends. H, who likes White sits second to the right of A and faces opposite direction of A. The one who likes Pink sits third to the right of H. The one who likes Green sits at one of the extreme ends and faces north. Neither E nor G sits at any end. C likes Pink and is not a neighbor of A. A neither likes Green nor White. Those who like Yellow faces same direction. E, who sits to the immediate left of G does not like Pink. B neither sits to the left of D nor faces north.

Q1. Who among the following sits immediate right of A?

- (a) C
- (b) E
- (c) G
- (d) B
- (e) None of these

Q2. What is the position of C with respect to G?

- (a) Immediate right
- (b) Third to the left
- (c) Second to the left
- (d) Fourth to the right
- (e) None of these

Q3. Which of the following is true about E?

- (a) E sits immediate right of the one who likes pink
- (b) E likes white
- (c) B sits third to the right of E
- (d) E sits third from one of the ends
- (e) Both (b) and (c)

Q4. Which of the following group of persons likes Yellow colour?

- (a) D-A
- (b) F-A
- (c) H-F
- (d) B-G
- (e) C-E

Q5. Who among the following person sits second to the left of F?

- (a) B
- (b) G

- (c) A
- (d) H
- (e) None of these

Directions (6-10): Each of the questions below consists of a question and two statements numbered I and II given below it. You have to decide whether the data provided in the statement are sufficient to answer the question. Read both the statements and

Given answer:

- (a) If the data in statement I alone are sufficient to answer the question, while the data in statement II alone are not sufficient to answer the question.
- (b) If the data in statement II alone are sufficient to answer the question, while the data in statement I alone are not sufficient to answer the question.
- (c) If the data either in statement I alone or in statement II alone are sufficient to answer the question.
- (d) If the data even in both statements I and II together are not sufficient to answer the question.
- (e) If the data in both statement I and II together are necessary to answer the question.

Q6. Towards which direction was Rahul facing as he stopped walking?

I. Rahul walked 30 meters towards West, took a left turn and walked 20 meters. He again took a left turn and stopped after walking 30 meters.

II. Rahul walked 30 meters towards East, took a right turn and walked 20 meters. Then he took a left turn and stopped after walking 30 meters.

Q7. What is A's rank in the class of 30 Students?

I. B, who is 11th from the top in the class. A is exactly between B and C, who is 16 from the bottom.

II. A who is 10 rank above B who is 15th rank below C.

Q8. Who is tallest among five friends A, B, C, D and E?

I. D is taller than at least two of his friends

II. E is taller than A who is taller than D.

Q9. How many people are sitting around the circle (all are facing inside)?

I. X is sitting third to the right of U, who is sitting third to the right of P. Three persons are sitting in between R and X.

II. Two persons are sit in between P and R who is sitting second to the right of X. U is sitting third right of P and Three person sit between X and U.

Q10. Who among P, Q, R and S is sitting immediate right to P if all persons are sitting in a straight line facing north?

I. P does not sit with to S who does not sit to the extreme right.

II. None sit to the left of P and on the right of Q, while only one person sits between R and Q.

Directions (11): In making decision about important questions, it is desirable to be able to distinguish between "strong" arguments and "weak" arguments. "Strong"

arguments must be both important and directly related to the question. "Weak" arguments may not be directly related to the question and may be of minor importance or may be related to the trivial aspects of the question.

Q11. Should the women be advised not to travel alone at night in view of the increasing incidences of rapes and sexual abuse?

Arguments:

I. No, instead the Government should take measures to control such incidences.

II. Yes, it is difficult even for the police department to control such cases.

- (a) if only argument I is strong.
- (b) if only argument II is strong.
- (c) if either argument I or II is strong.
- (d) if neither argument I nor II is strong.
- (e) if both arguments I and II are strong.

Directions (12-14): Each of these questions is based on the following information:

There are seven members in a family P, R, M, K, T, O and S among them only two are married couples. There are three generation in the family. M is the grandson of R. K is the daughter of S who is daughter-in-law of P. R has only two children. P is mother of O. T is a female member of the family.

Q12. Who among the following is son of T's brother?

- (a) P
- (b) M
- (c) K
- (d) R
- (e) None of these

Q13. How is R related to M's mother?

- (a) Grandson
- (b) Granddaughter
- (c) Son
- (d) Sister-in-law
- (e) Father-in-law

Q14. How is P related to S's husband?

- (a) Aunt
- (b) Son
- (c) Mother
- (d) Sister-in-law
- (e) Father

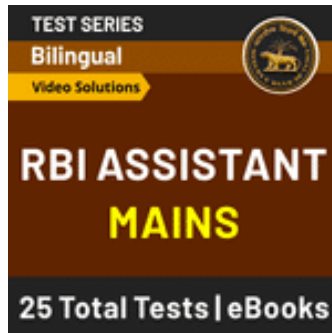
Directions (15): In the given question below is given a statement followed by two conclusions numbered I and II. You have to assume everything in the statement to be true, then consider the two conclusions together and decide which of them logically follows beyond a reasonable doubt from the information given in the statement.

Q15. Statement: Irregularity is a cause for failure in exams. Some regular students fail in the examinations.

Conclusions: I. All failed students are regular.

II. All successful students are not regular.

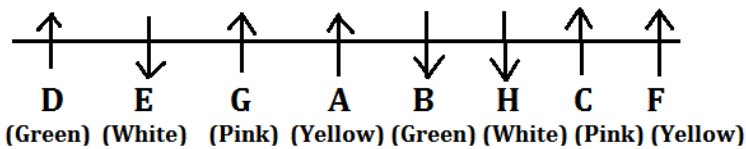
- (a) if only conclusion I follows;
 (b) if only conclusion II follows;
 (c) If either I or II follows;
 (d) if neither I nor II follows; and
 (e) if both I and II follow.



Solutions

Solutions (1-5):

Sol.



S1. Ans.(d)

S2. Ans.(d)

S3. Ans.(b)

S4. Ans.(b)

S5. Ans.(d)

Solutions(6-10):

S6. Ans.(c)

From I

Rahul is facing East as he stops walking.

Thus, only I is sufficient.

From II

Rahul is facing east as he stops walking.

Thus, Only II is sufficient.

S7. Ans.(a)

From statement I:

B's rank from top=11th

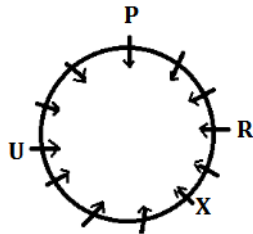
C's rank from bottom is 16th so, from top= $30+1-16= 15$ th
 So, A's rank from top in the class= 13th

S8. Ans.(e)

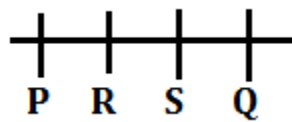
Using both statements together, E is the tallest person

S9. Ans.(b)

From Statement II:



S10. Ans.(b)

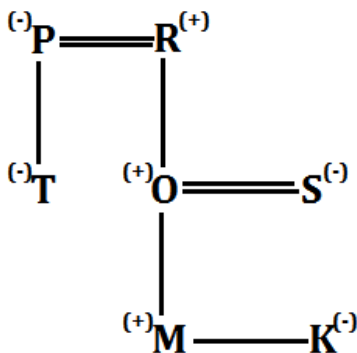


S11. Ans.(a)

Sol. Instead of giving advice to women, it is necessary for government to take measures to control such incidents.

Solution (12-14):

Sol.



S12. Ans.(b)

S13. Ans.(e)

S14. Ans.(c)

S15. Ans. (d)

Sol. The-given statement clearly implies that all irregular and some regular students fail in the examinations. This, in turn, means that all successful students are regular but not all regular students are successful. So, neither I nor II follows.





For any Banking/Insurance exam Assistance, Give a Missed call @ 01141183264

