

Quiz Date: 27th August 2020

Directions (1-4): Each of these questions is based on the following information:

- (i) P % Q means P is the father of Q.
- (ii) P @ Q means P is the sister of Q.
- (iii) P \$ Q means P is the brother of Q.
- (iv) P * Q means P is the son of Q.
- (v) P # Q means P is the wife of Q.

Q1. In the expression N \$ R % Q # U * S @ M, how is Q related to N?

- (a) Aunt
- (b) Mother
- (c) Sister
- (d) Sister in law
- (e) Niece

Q2. In the expression N @ M * A # O * Q \$ R, how is Q related to N?

- (a) Aunt
- (b) Uncle
- (c) Sister
- (d) Grand father
- (e) Cousin

Q3. Which of the following relation shows 'K is daughter in law of E'?

- (a) F @ K \$ D % E # A * O
- (b) O @ A * K # F \$ D * E
- (c) A % O * K @ D # E \$ F
- (d) K # D \$ A @ E * F % O
- (e) None of these

Q4. Which of the following symbol is used if 'O is nephew of S' is true in the relation

P % O ___ R @ S # Q?

- (a) #
- (b) %
- (c) *
- (d) @
- (e) \$

Q5. A man says to a lady, "Your father is the father in law of my father's only child." How is the lady related to the man?

- (a) Sister-in-law
- (b) Granddaughter
- (c) Wife
- (d) Daughter
- (e) Aunt

BANKERS

adda247

Direction (6-9): Study the following information carefully and answer the given questions. There are nine members in a family i.e. A, B, C, D, E, P, R, Q, and S. There are four females and three married couples. A is paternal uncle of Q. R has only 2 children. S is daughter-in-law of B. C is married to B. D and E are sons of C. E is not married. P is married to R. B is son-in-law of R. P is a male member.

Q6. Who among the following is brother in law of Q?

- (a) E
- (b) D
- (c) P
- (d) B
- (e) None of these

Q7. Which of the following is true about P?

- (a) P is uncle of Q
- (b) B is daughter in law of P
- (c) P is sister of A
- (d) D is grandson of P
- (e) P is father of E

Q8. How E is related to son in law of R?

- (a) Sister in law
- (b) Daughter
- (c) Son
- (d) Daughter in law
- (e) Wife

Q9. How B's sister in law is related to R's brother in law?

- (a) Niece
- (b) Nephew
- (c) Son
- (d) Daughter
- (e) Sister

Q10. C is the wife of B. M is the son of C. A is the brother of B and father of D. E is wife of A. How is B related to D?

- (a) Sister
- (b) Cousin
- (c) Brother
- (d) Mother
- (e) Uncle

Directions (11-14): Each of these questions is based on the following information:

- (i) A % B means A is the daughter of B.
- (ii) A @ B means A is the mother of B.
- (iii) A \$ B means A is the father of B.

- (iv) $A * B$ means A is the son of B.
 (v) $A \odot B$ means A is brother of B

Q11. Which of the following shows the relation that S is sister in law of Q?

- (a) $S @ T * A \odot R \% P \$ Q$
 (b) $S \% A @ T * R \odot Q \$ P$
 (c) $T @ S \odot R \$ Q \% P$
 (d) $R \% S \$ P * Q$
 (e) None of these

Q12. Who among the following is F's niece in this relation- ' $A \$ D @ G \% E \odot F$ '?

- (a) A
 (b) D
 (c) G
 (d) E
 (e) Can't be determine

Q13. If the expression ' $P \% R \$ S \odot T @ W$ ' true, then which of the following is true?

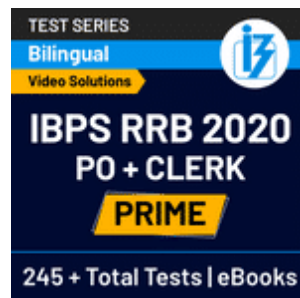
- (a) P is brother of T
 (b) S is daughter of R
 (c) P is aunt of W
 (d) R is grandmother of W
 (e) None is true

Q14. If the expression ' $A * D @ P \% Q \odot E \$ R$ ' true, then which of the following is false?

- (a) E is uncle of A
 (b) P is daughter of D
 (c) Q is aunt of R
 (d) E is brother in law of D
 (e) All are true

Q15. Showing a man on the stage, Rita said, " He is the brother of the daughter of the wife of my husband. How is the man on stage related to Rita?

- (a) Son
 (b) Husband
 (c) Cousin
 (d) Nephew
 (e) Niece

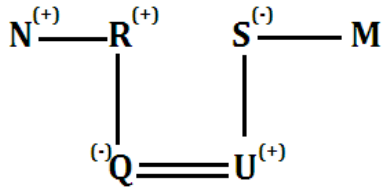


Solutions

Solution (1-4):

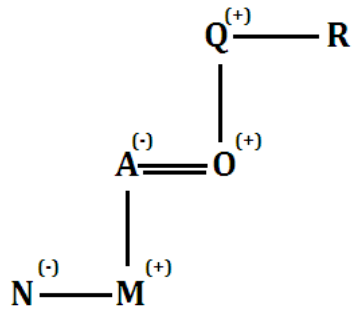
S1. Ans.(e)

Sol.



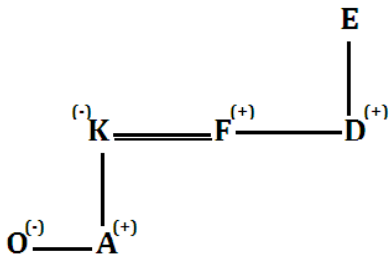
S2. Ans.(d)

Sol.



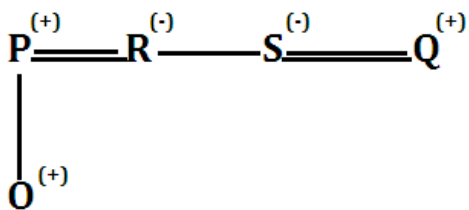
S3. Ans.(b)

Sol.



S4. Ans.(c)

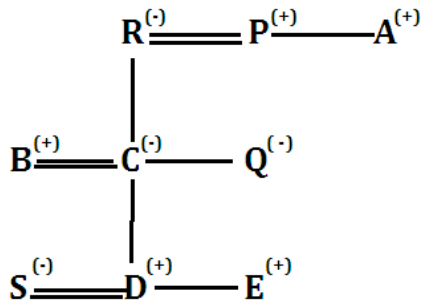
Sol.



S5. Ans.(c)



Solution (6-9):



S6. Ans.(d)

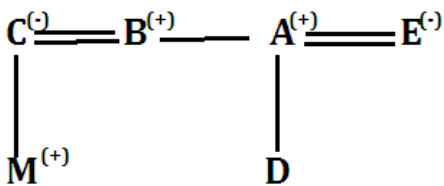
S7. Ans.(d)

S8. Ans.(c)

S9. Ans.(a)

S10. Ans.(e)

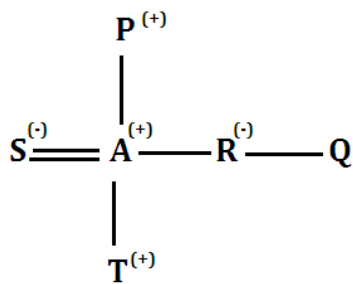
Sol.



Solution (11-14):

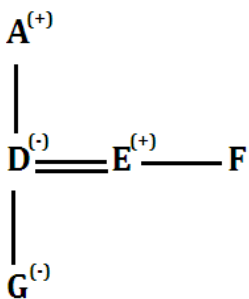
S11. Ans.(a)

Sol.



S12. Ans.(c)

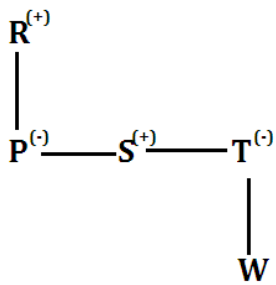
Sol.



S13. Ans.(c)

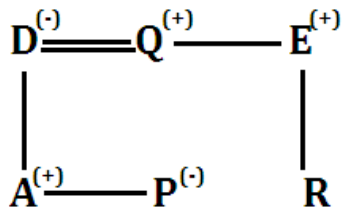


Sol.

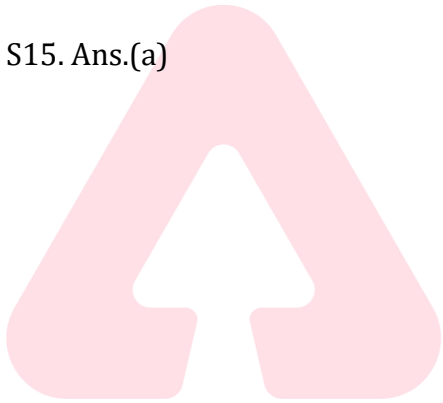


S14. Ans.(c)

Sol.



S15. Ans.(a)



BANKERS



BILINGUAL

TARGET IBPS RRB PO/
CLERK PRELIMS 2020

Starts June 29, 2020

12:30 PM to 3:30 PM

da247

For any Banking/Insurance exam Assistance, Give a Missed call @ 01141183264